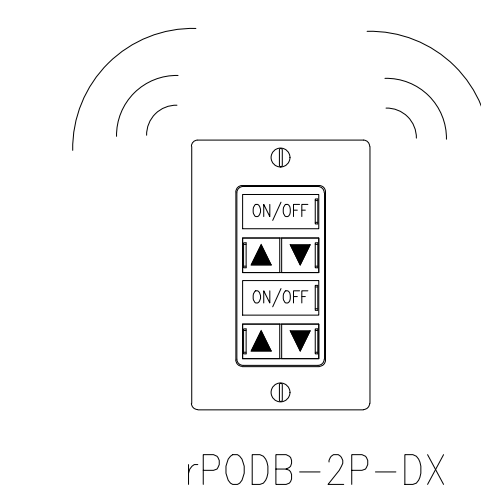
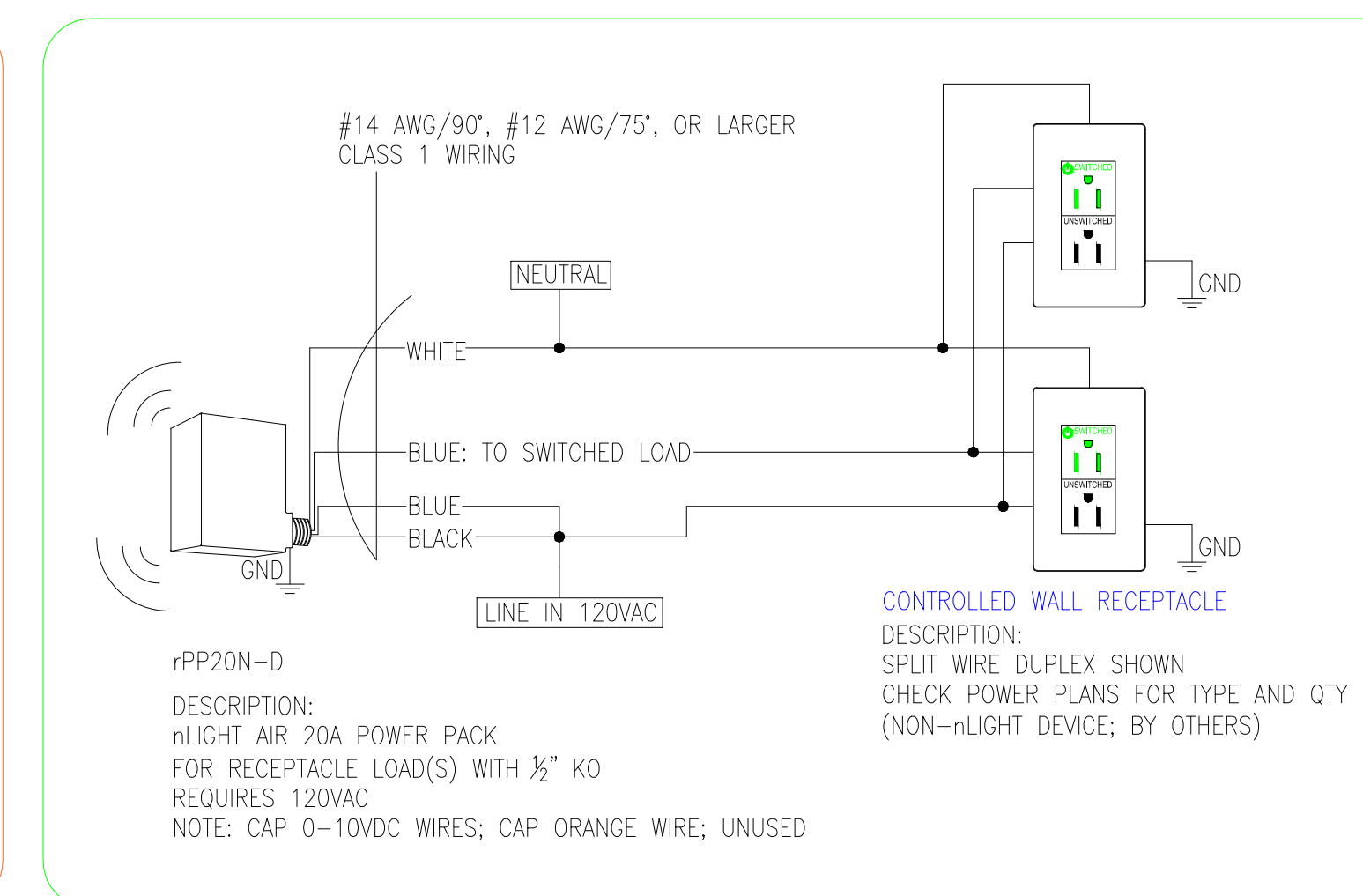
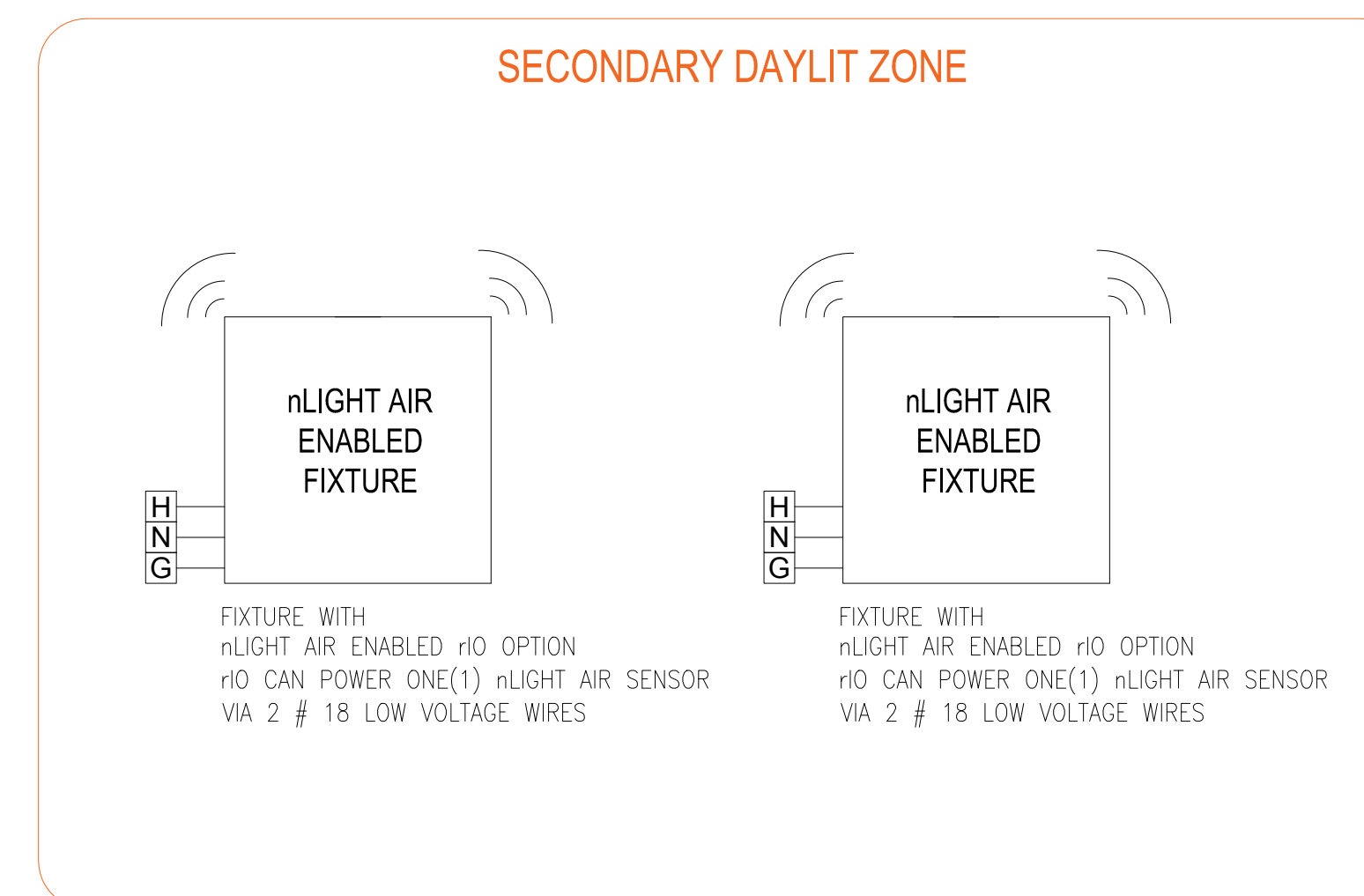
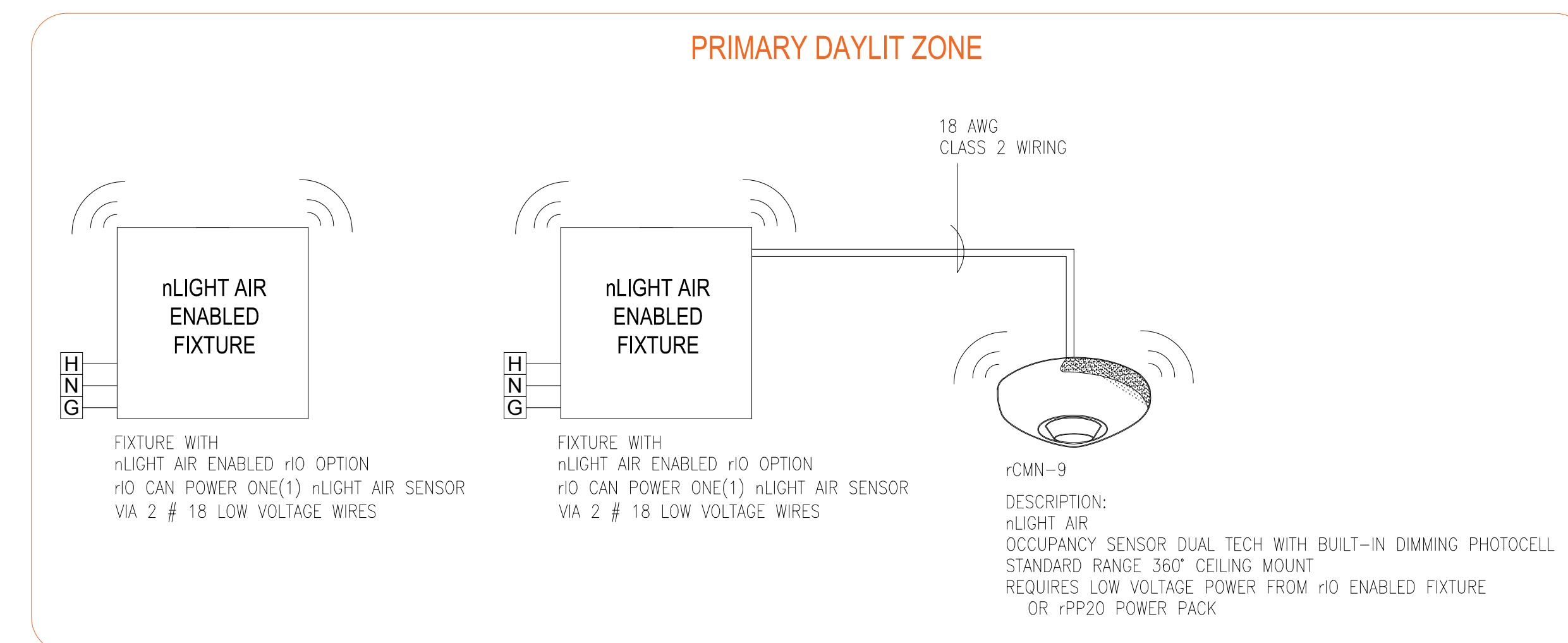


# Conference Rooms - Enabled Fixtures With Daylighting

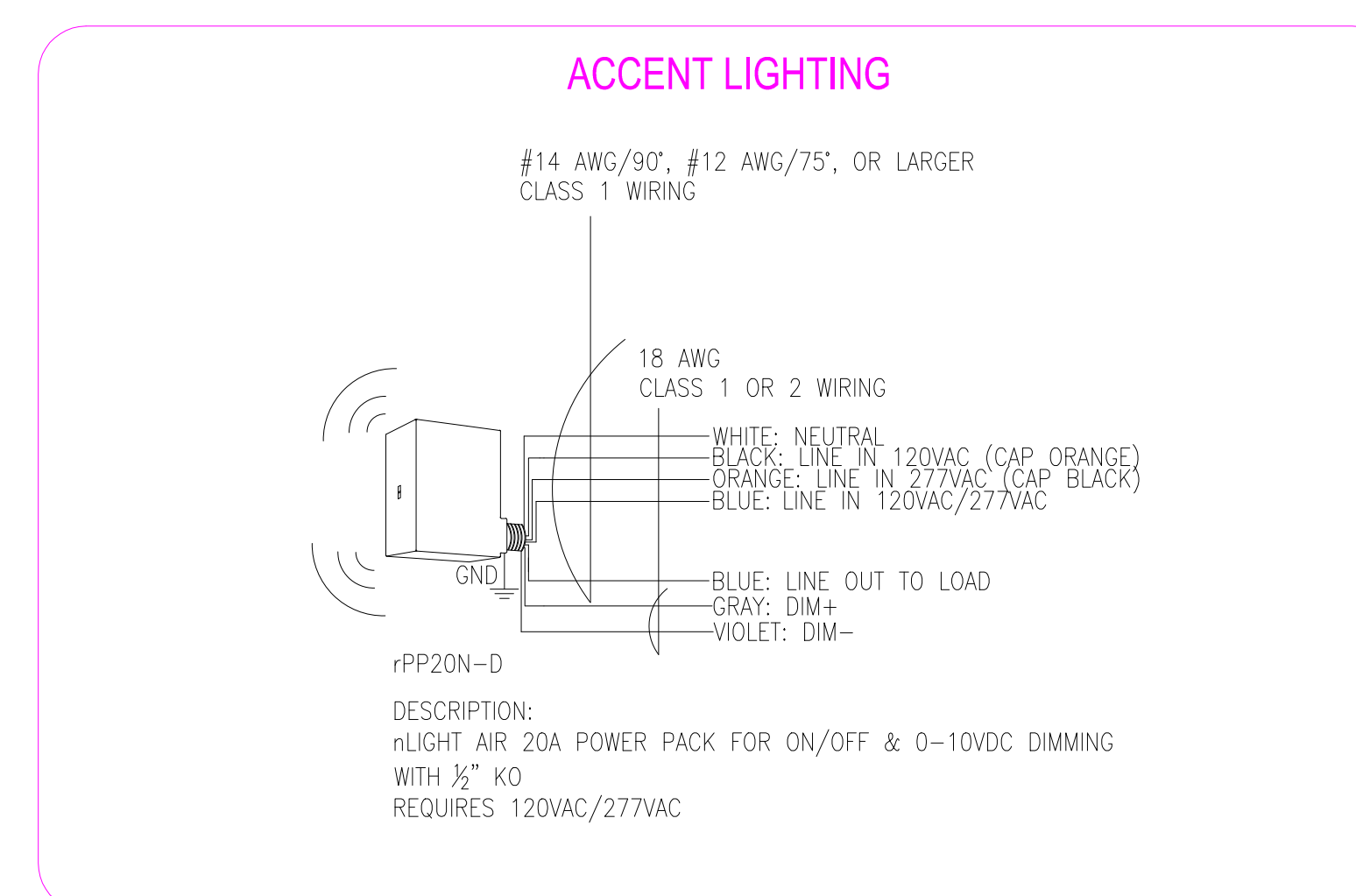
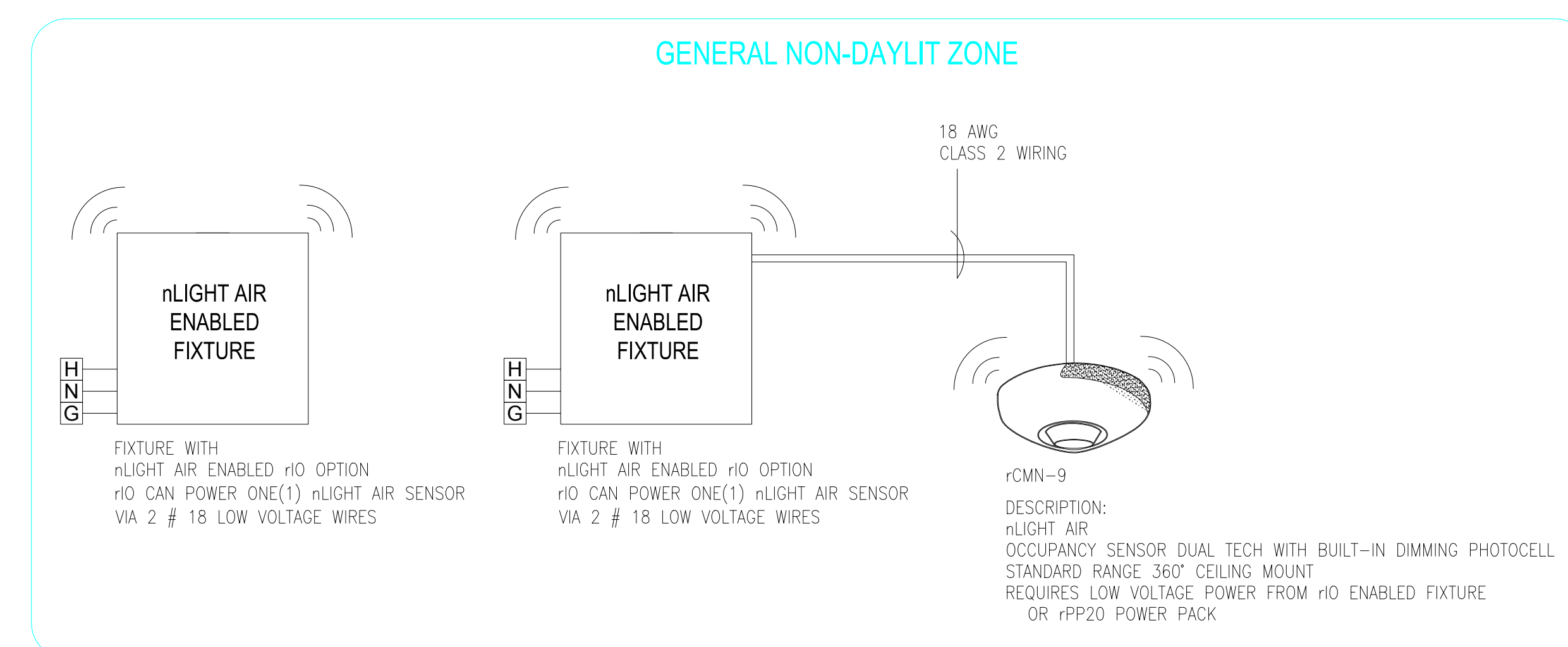


CONFERENCE ROOMS - ENABLED FIXTURES - WITH DAYLIGHTING



rPODB-2P-DX  
DESCRIPTION: nLIGHT AIR ON/OFF/RAISE/LOWER 2-ZONE SWITCH 3 AAA BATTERY POWERED (INCLUDED)

\*FOR NEW CONSTRUCTION OR RENOVATIONS WITH THE COMPLETE REPLACEMENT OF THE DISTRIBUTION SYSTEM\*



## NTS TYPICAL CONFERENCE ROOM WITH DAYLIGHTING USING nLIGHT ENABLED FIXTURES

REFER TO PLANS FOR TYPES AND QUANTITIES

T24 2016 COMPLIANT SEQUENCE OF OPERATION:

1. OCCUPANCY SENSOR PROVIDES PARTIAL ON TO 70% AND AUTOMATIC OFF OF LIGHTS AND CONTROLLED RECEPTACLES BASED ON ROOM OCCUPANCY ( USE 10 MINUTE DEFAULT TIME DELAY FOR OCCUPANCY SENSOR ) .
2. DUAL ZONE PHOTOCELL SHALL AUTOMATICALLY REDUCE GENERAL LIGHTING IN BOTH PRIMARY AND SECONDARY DAYLIT ZONES BASED ON DAYLIGHT TO MAINTAIN DESIGN ILLUMINANCE.
3. rPODB DX SWITCH PROVIDES MANUAL OVERRIDE OF THE LIGHTS: ON/OFF/RAISE/LOWER.

nLight AIR Typical

REV	DATE

Date: \_\_\_\_\_  
Scale: NOT TO SCALE  
Drawn By: \_\_\_\_\_  
Project #: \_\_\_\_\_  
DWG Ref: \_\_\_\_\_  
Sheet: \_\_\_\_\_