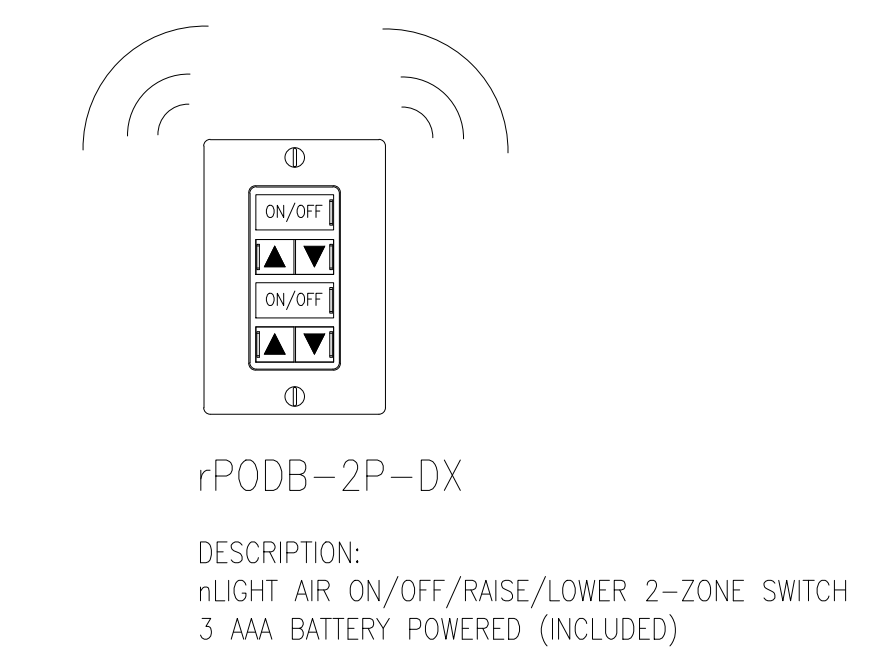
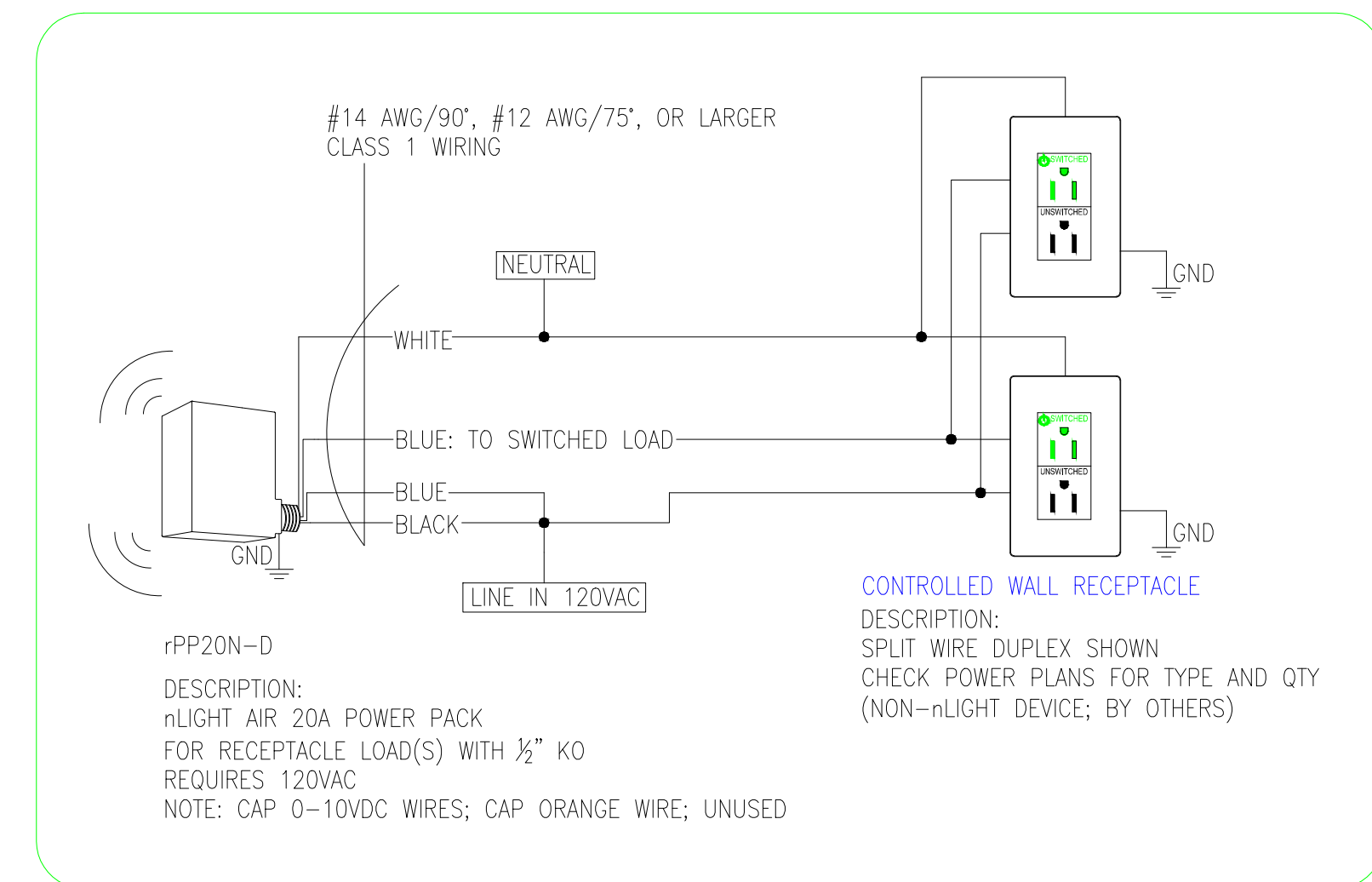
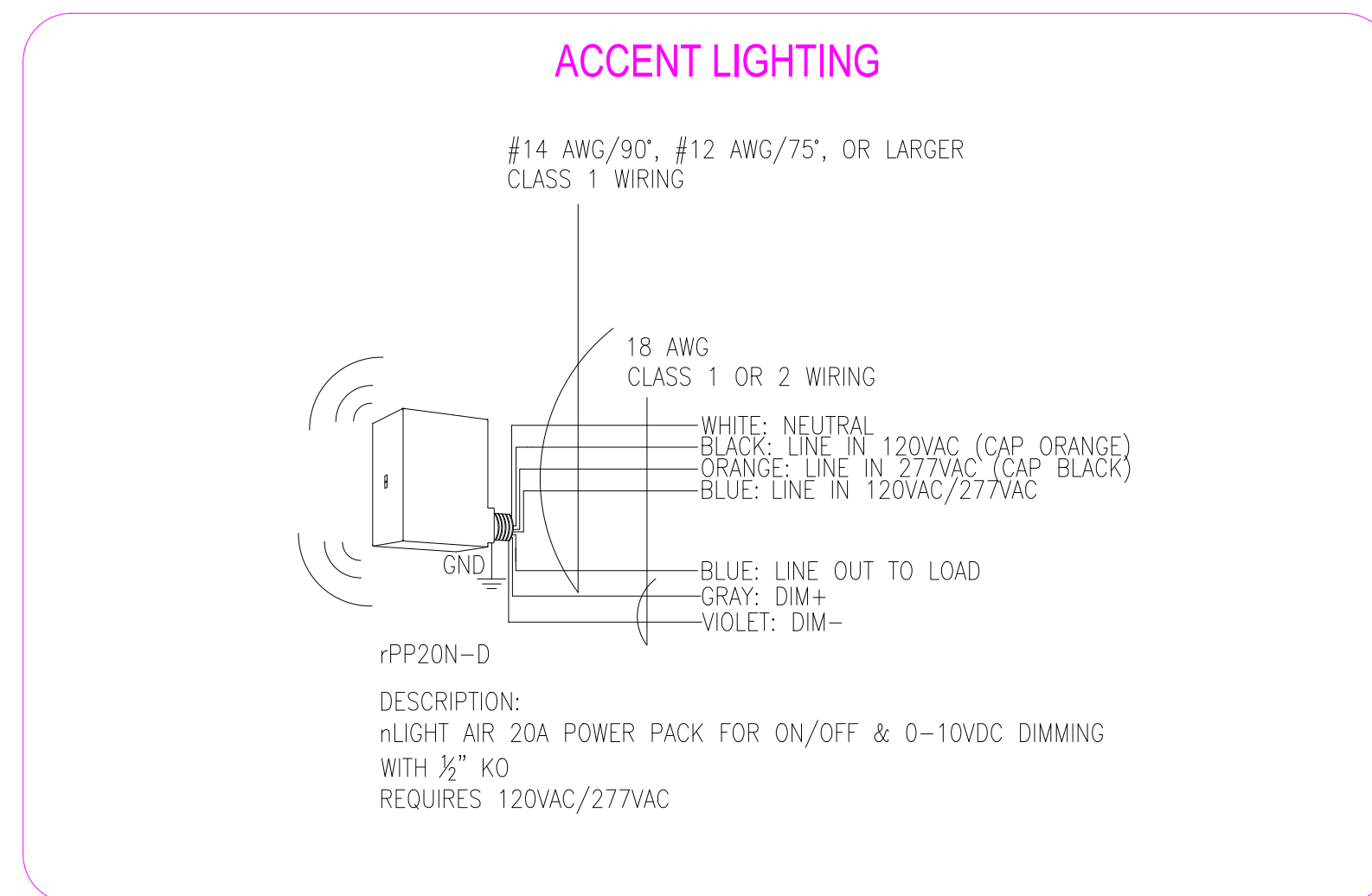
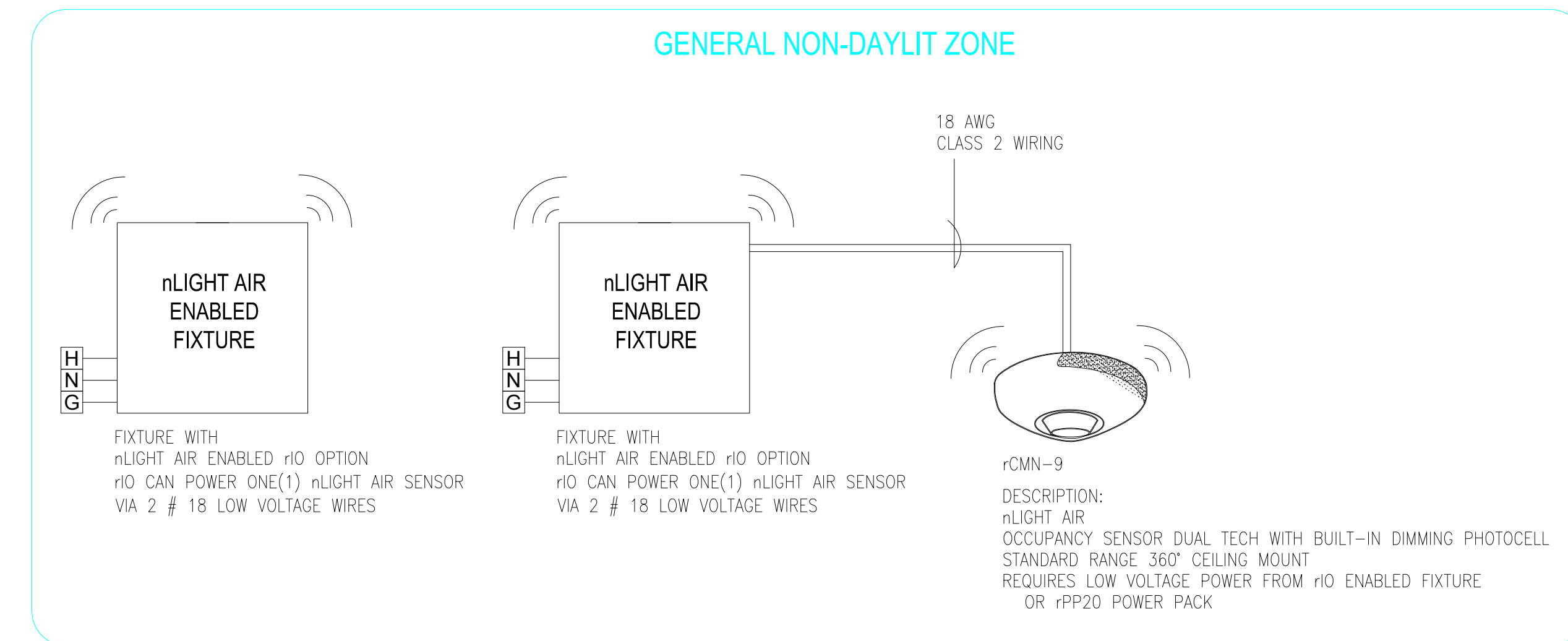


Conference Rooms - Enabled Fixtures



FOR NEW CONSTRUCTION OR RENOVATIONS WITH THE COMPLETE REPLACEMENT OF THE DISTRIBUTION SYSTEM

CONFERENCE ROOMS - ENABLED FIXTURES

NTS **TYPICAL CONFERENCE ROOM USING nLIGHT nLIGHT ENABLED FIXTURES**
REFER TO PLANS FOR TYPES AND QUANTITIES

- T24 2016 COMPLIANT SEQUENCE OF OPERATION:
- OCCUPANCY SENSOR PROVIDES PARTIAL ON TO 70% AND AUTOMATIC OFF OF LIGHTS AND CONTROLLED RECEPTACLES BASED ON ROOM OCCUPANCY (USE 10 MINUTE DEFAULT TIME DELAY FOR OCCUPANCY SENSOR)
 - rPODB DX SWITCH PROVIDES MANUAL OVERRIDE OF THE LIGHTS: ON/OFF/RAISE/LOWER

nLight AIR Typical

REV	DATE

Date: _____
Scale: NOT TO SCALE
Drawn By: _____
Project #: _____
DWG Ref: _____
Sheet: _____