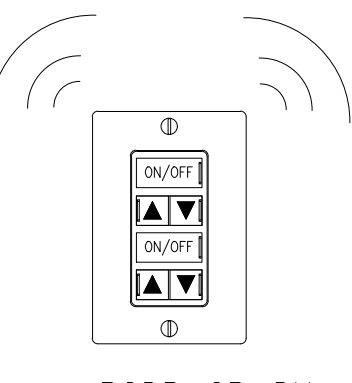
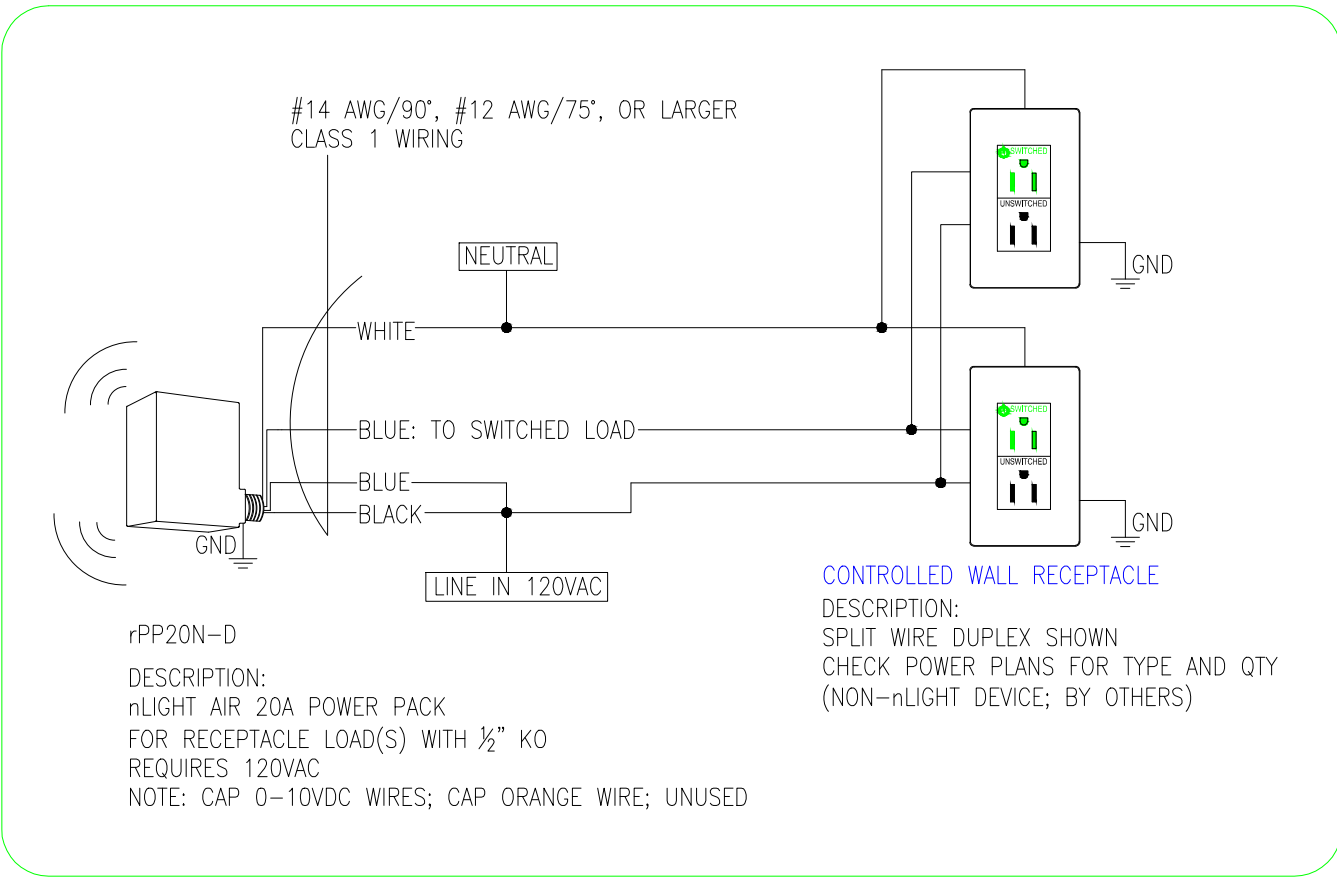
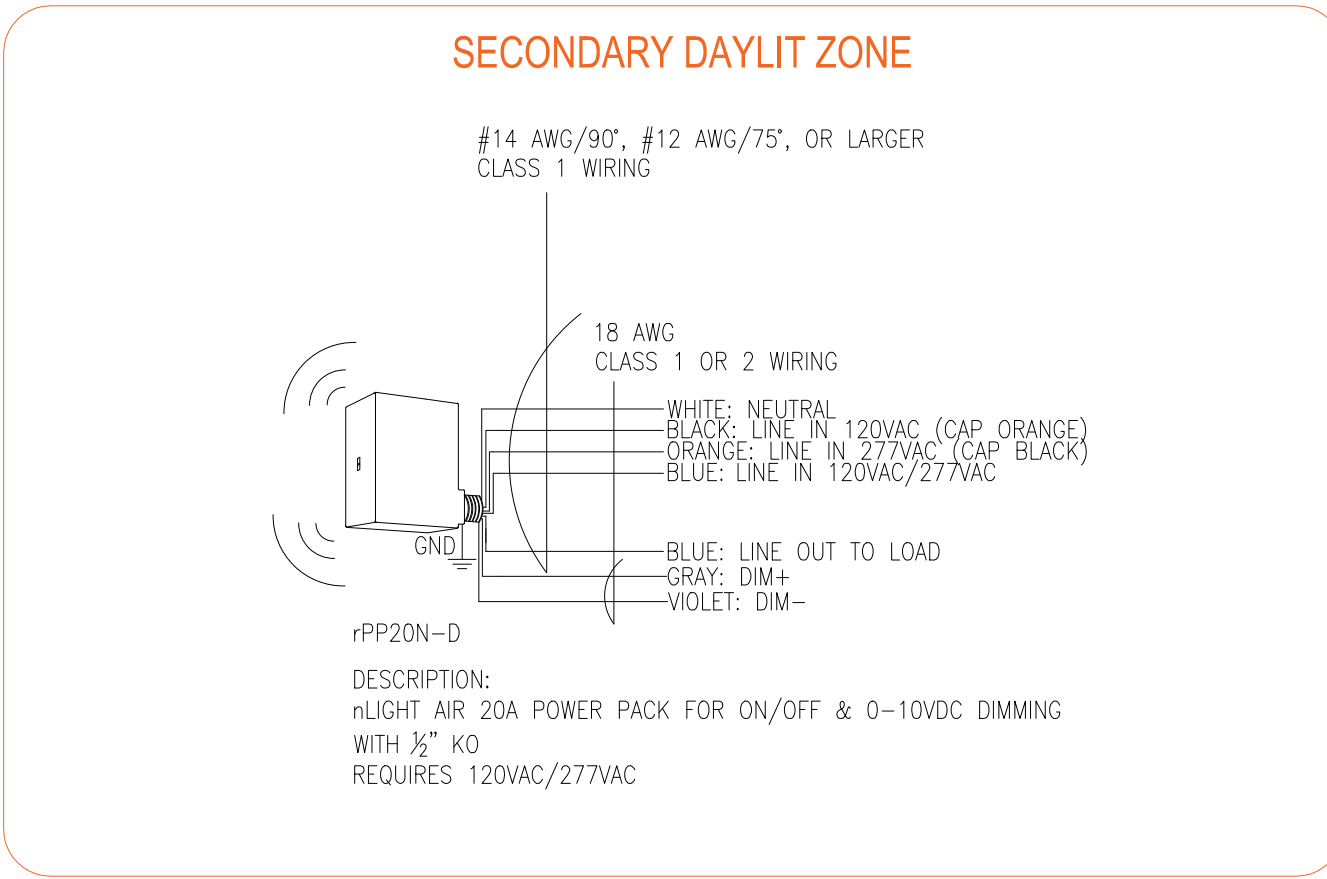
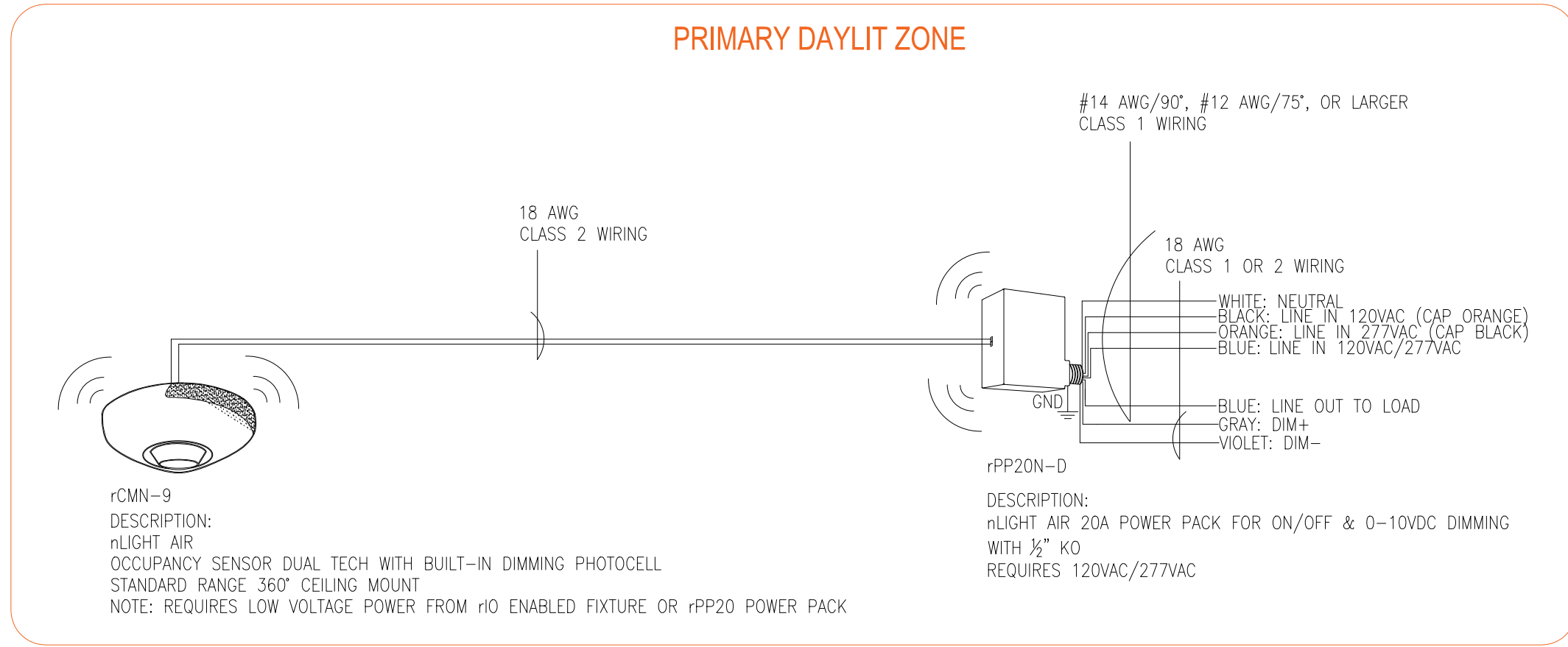
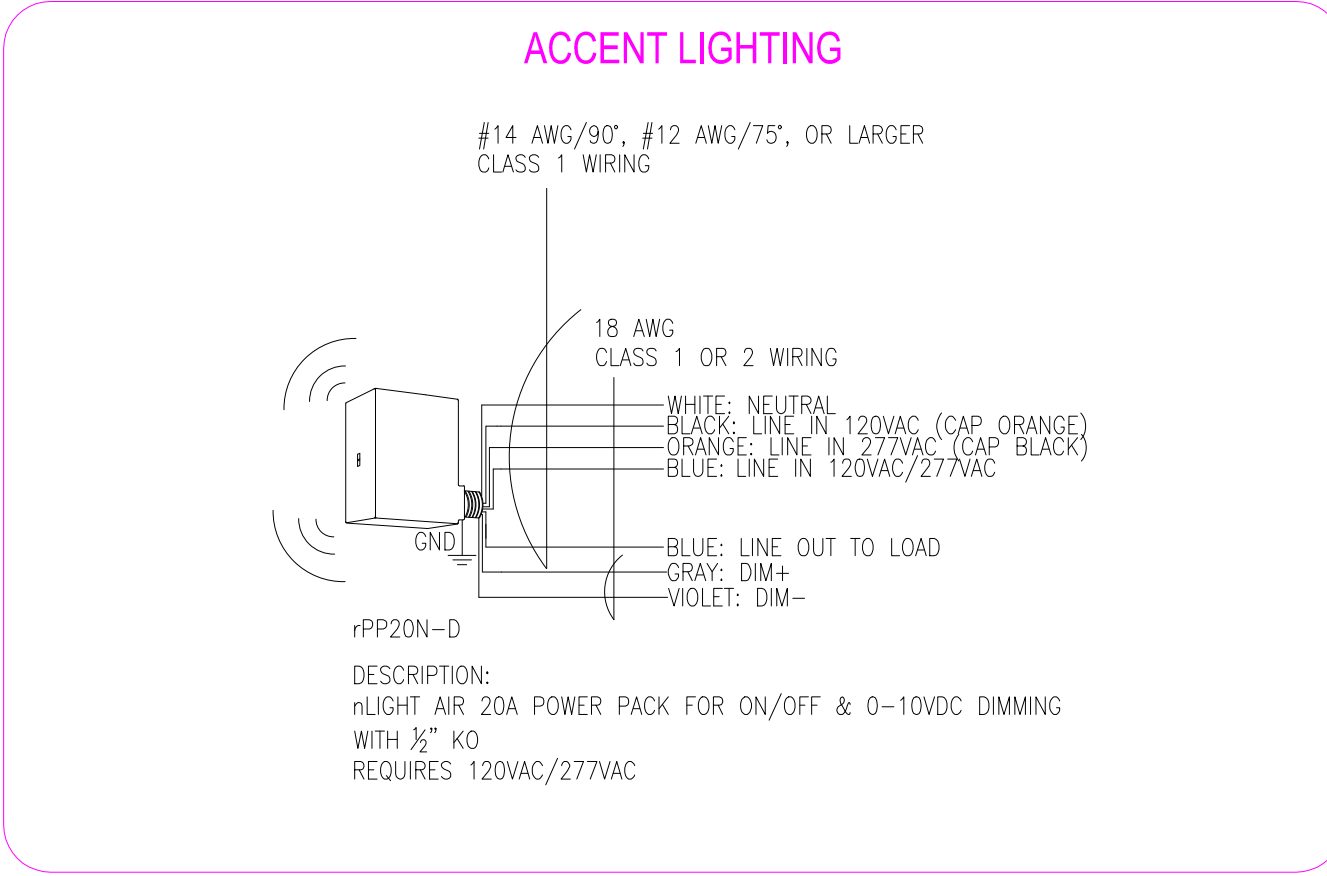
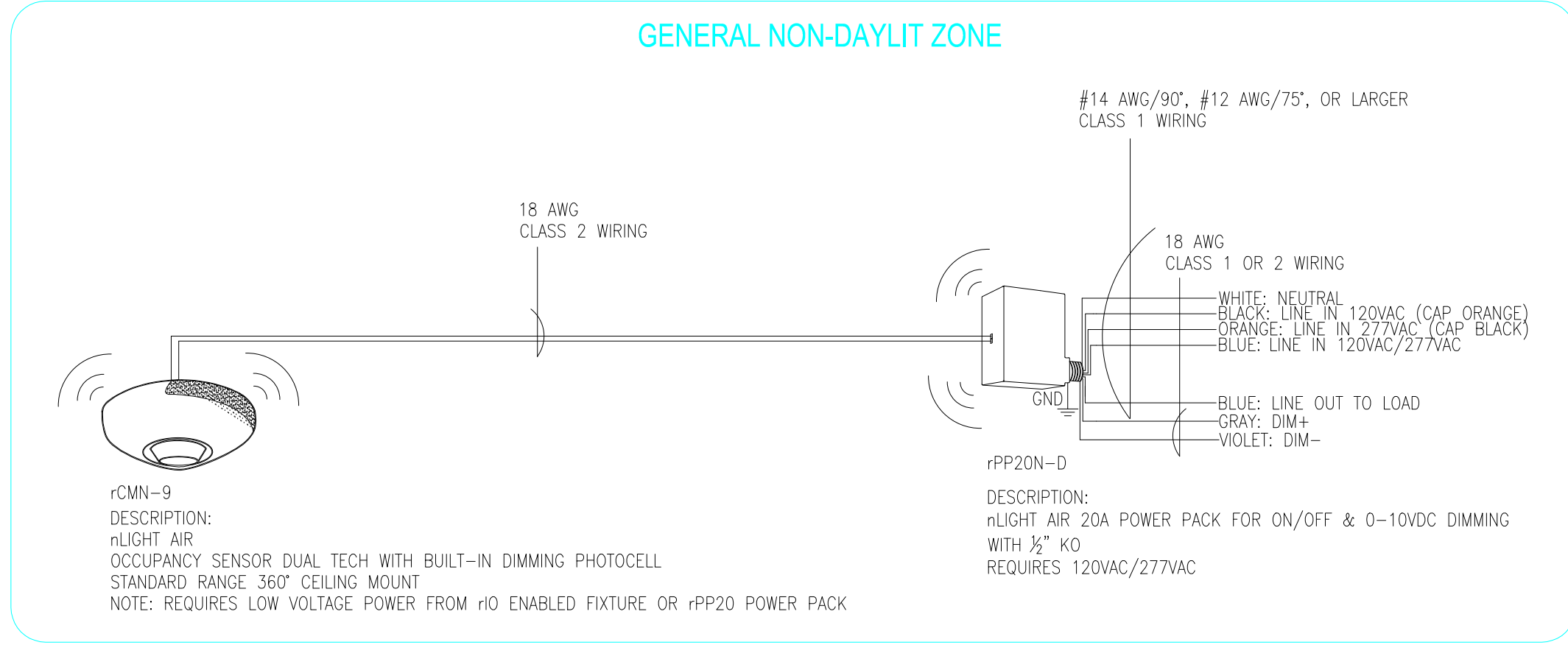


Conference Room With Daylighting



rPOB-2P-DX

DESCRIPTION:
H0A-9
OCCUPANCY SENSOR DUAL TECH WITH BUILT-IN DIMMING PHOTOCELL
STANDARD RANGE 360° CEILING MOUNT
NOTE: REQUIRES LOW VOLTAGE POWER FROM HD ENABLED FIXTURE OR PPOB POWER PACK



NTS TYPICAL CONFERENCE ROOM WITH DAYLIGHTING USING nLIGHT POWER PACKS REFER TO PLANS FOR TYPES AND QUANTITIES

T24 2016 COMPLIANT SEQUENCE OF OPERATION:

1. OCCUPANCY SENSOR PROVIDES PARTIAL ON TO 70% AND AUTOMATIC OFF OF LIGHTS AND CONTROLLED RECEPTABLES BASED ON ROOM OCCUPANCY (USE 10 MINUTE DEFAULT TIME DELAY FOR OCCUPANCY SENSOR) .
2. DUAL ZONE PHOTOCELL SHALL AUTOMATICALLY REDUCE GENERAL LIGHTING IN BOTH PRIMARY AND SECONDARY DAYLIT ZONES BASED ON DAYLIGHT TO MAINTAIN DESIGN ILLUMINANCE.
3. rPOB DX SWITCH PROVIDES MANUAL OVERRIDE OF THE LIGHTS: ON/OFF/RAISE/LOWER

REV	DATE

Date:
Scale: NOT TO SCALE
Drawn By:
Project #:
DWG Ref:
Sheet: