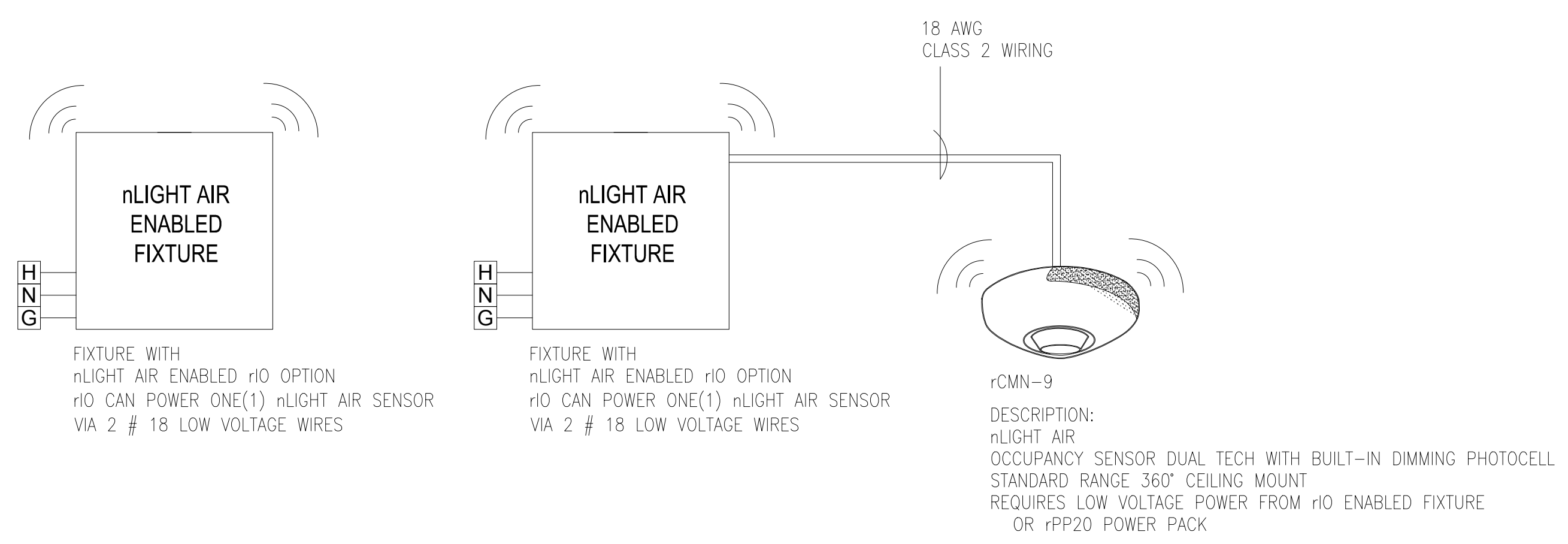
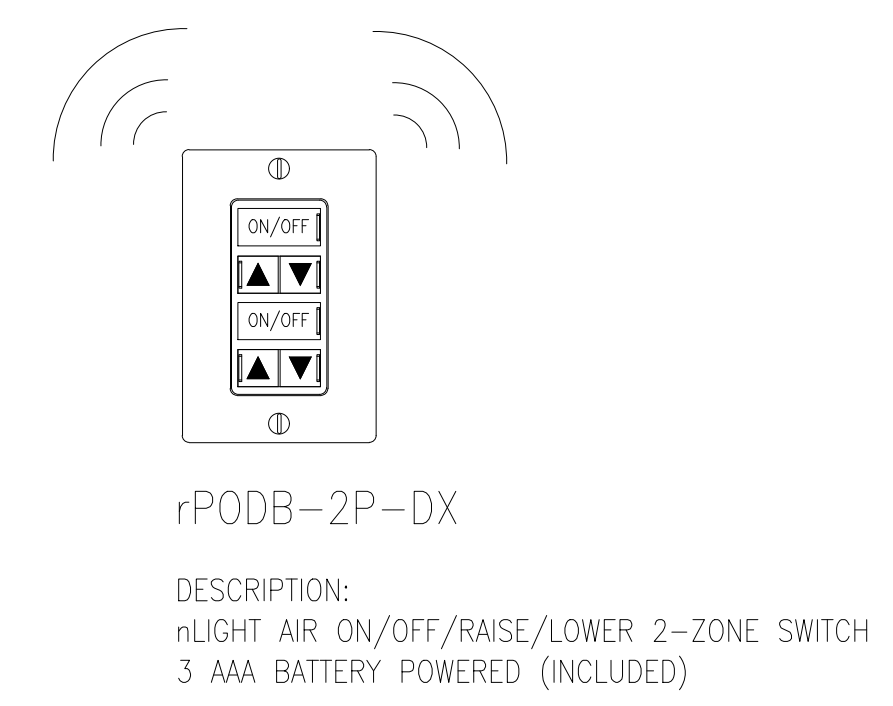
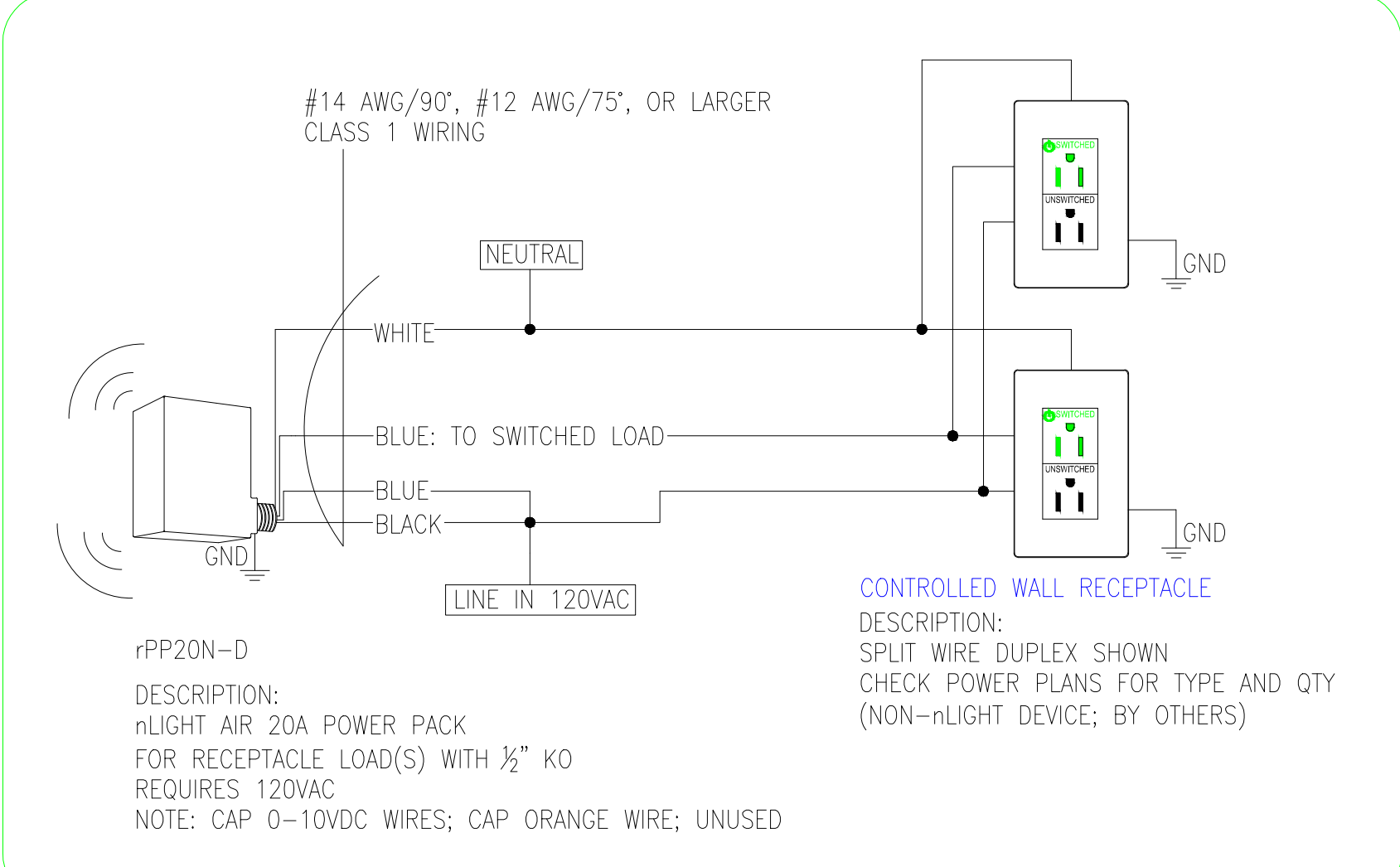
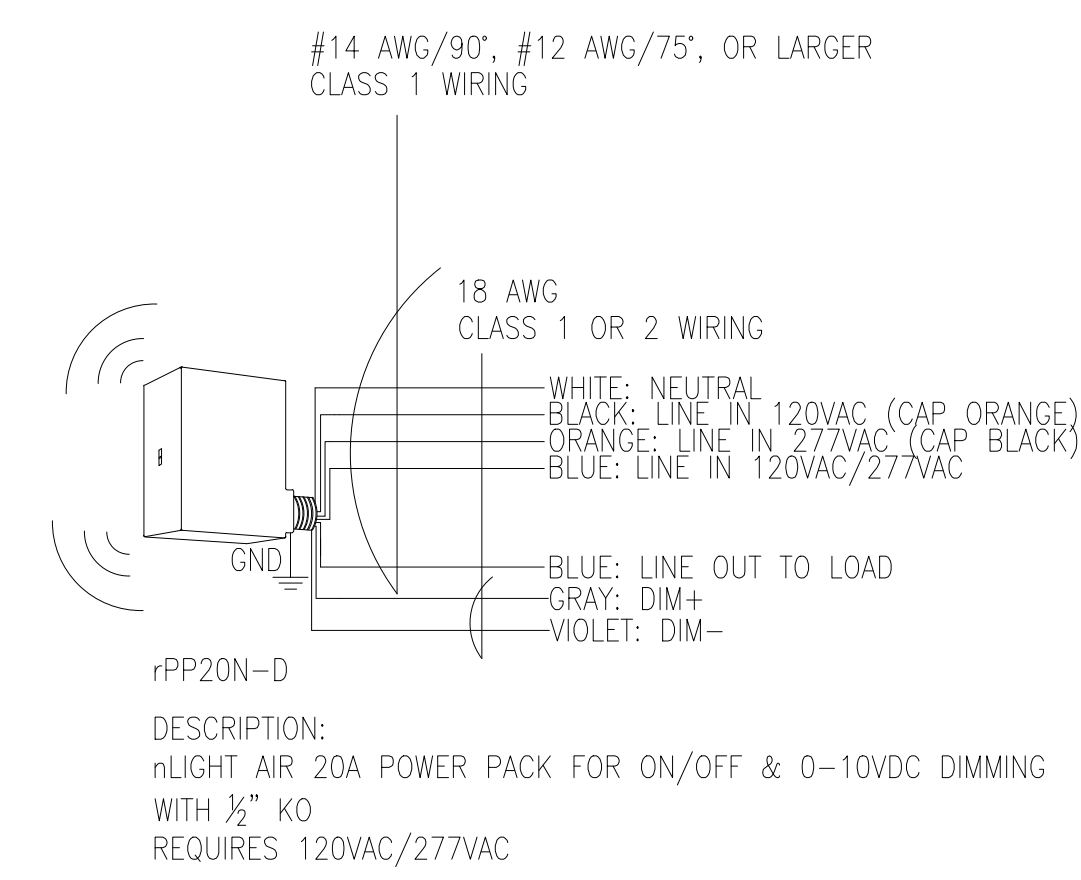


# Large Office - Enabled Fixtures

## GENERAL NON-DAYLIT ZONE



## ACCENT LIGHTING



**\*FOR NEW CONSTRUCTION OR RENOVATIONS WITH THE COMPLETE REPLACEMENT OF THE DISTRIBUTION SYSTEM\***

NTS

## TYPICAL LARGE OFFICE USING nLIGHT ENABLED FIXTURES

REFER TO PLANS FOR TYPES AND QUANTITIES

T24 2016 COMPLIANT SEQUENCE OF OPERATION:

1. OCCUPANCY SENSOR PROVIDES PARTIAL ON TO 70% AND AUTOMATIC OFF OF LIGHTS AND CONTROLLED RECEPTACLES BASED ON ROOM OCCUPANCY ( USE DEFAULT TIME DELAY FOR OCCUPANCY SENSOR) .
2. rPODB 2P DX SWITCH PROVIDES MANUAL OVERRIDE OF THE LIGHTS: ON/OFF/RAISE/LOWER.

LARGE OFFICE - ENABLED FIXTURES

nLIGHT AIR Typicals

REV	DATE
Date:	
Scale:	NOT TO SCALE
Drawn By:	
Project #:	
DWG Ref:	
Sheet:	