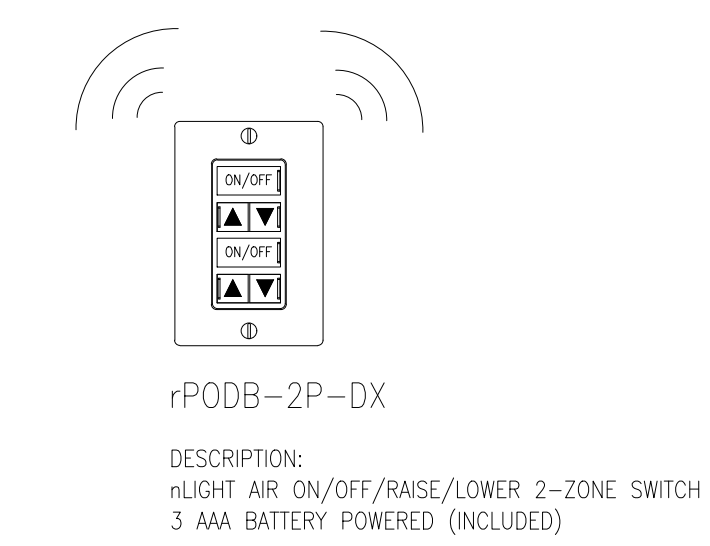
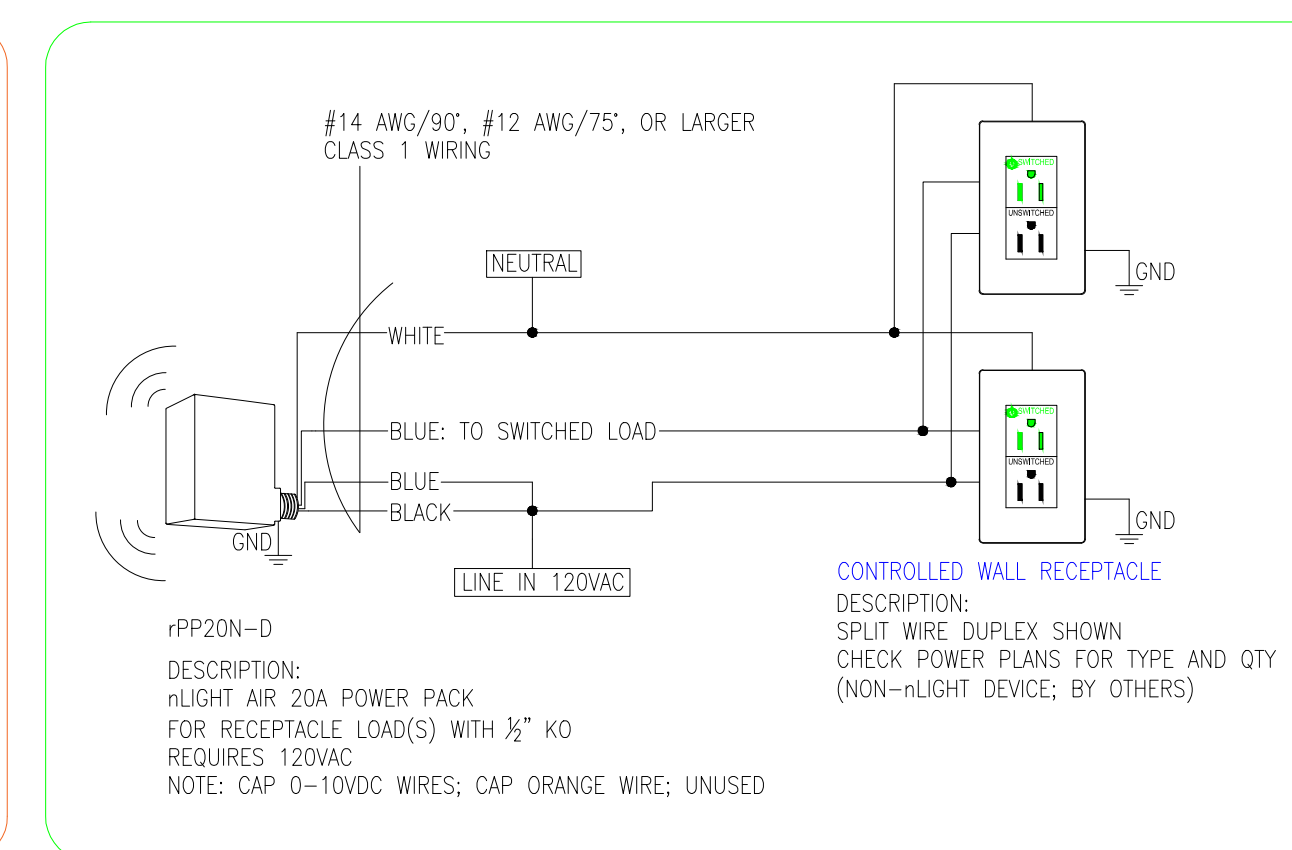
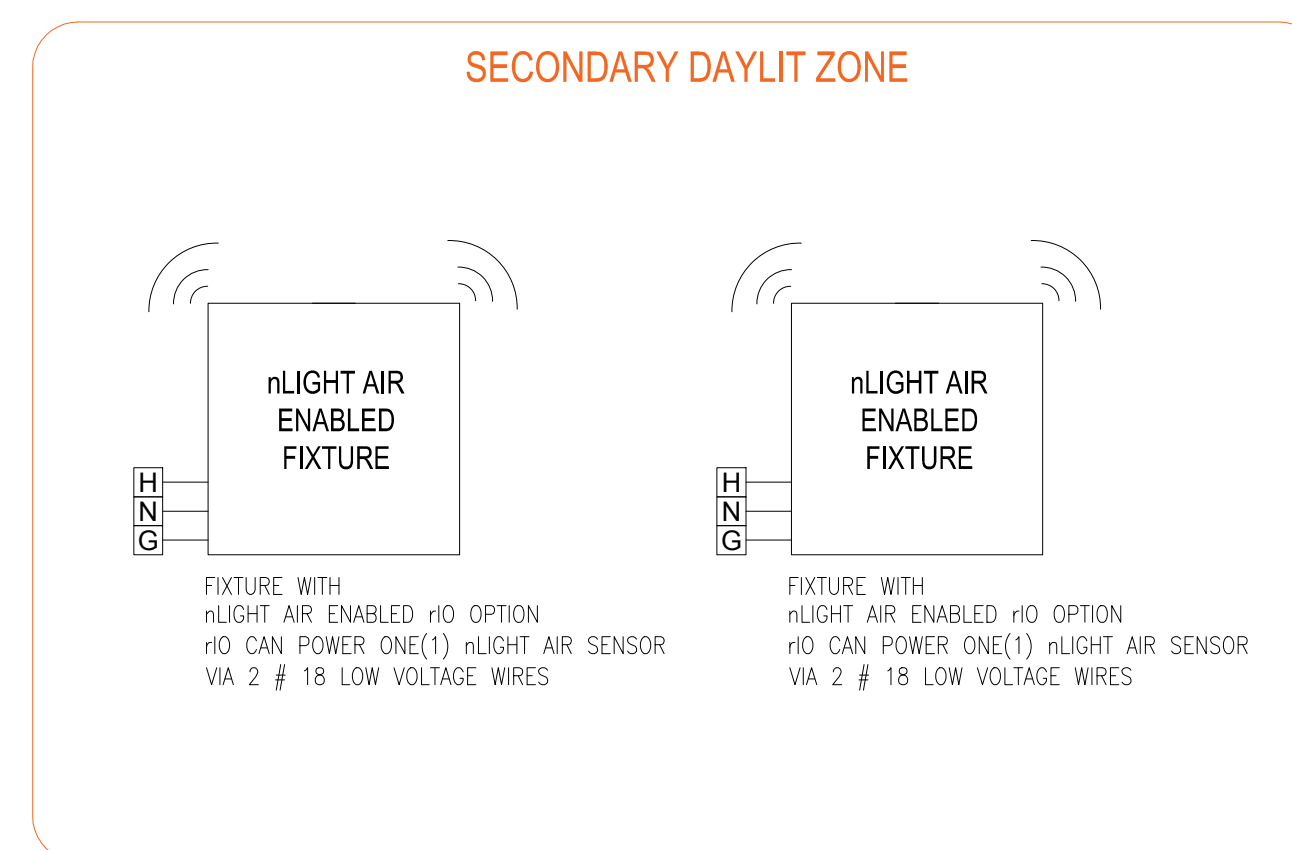
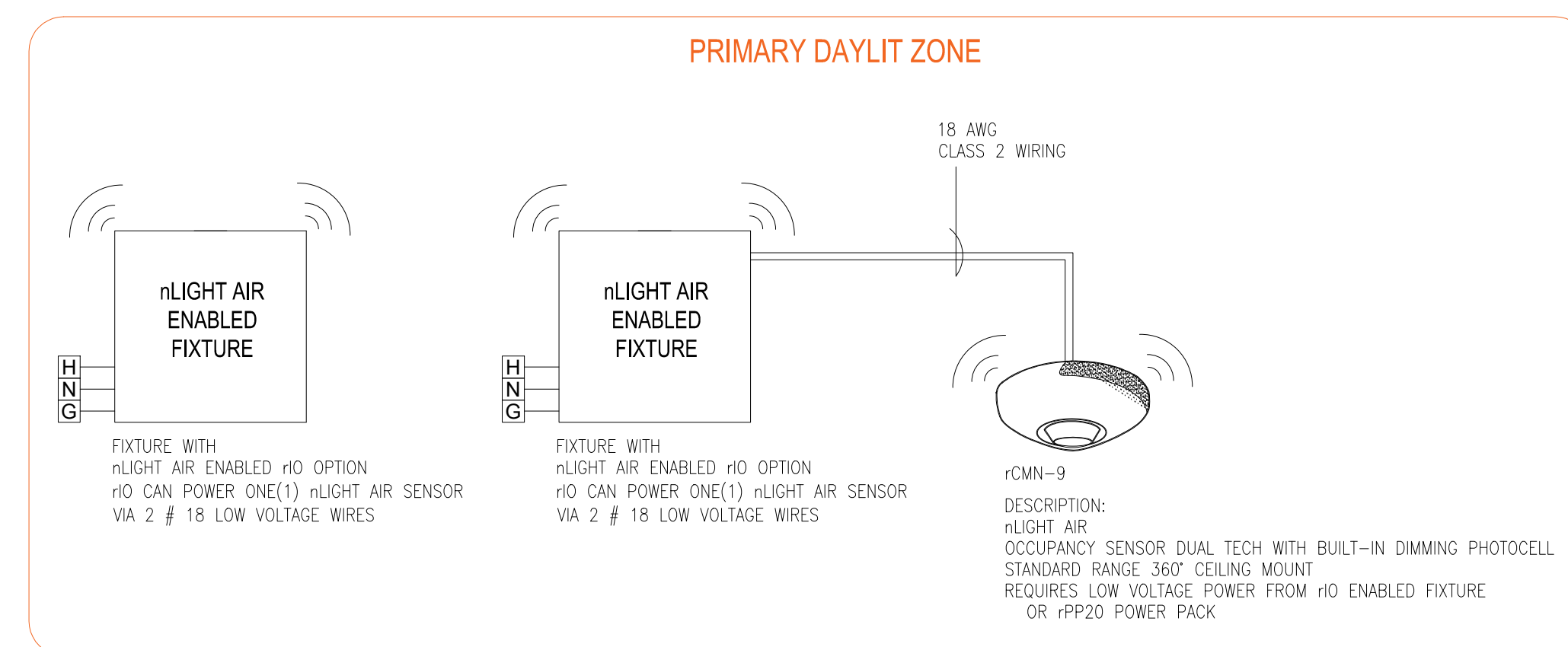
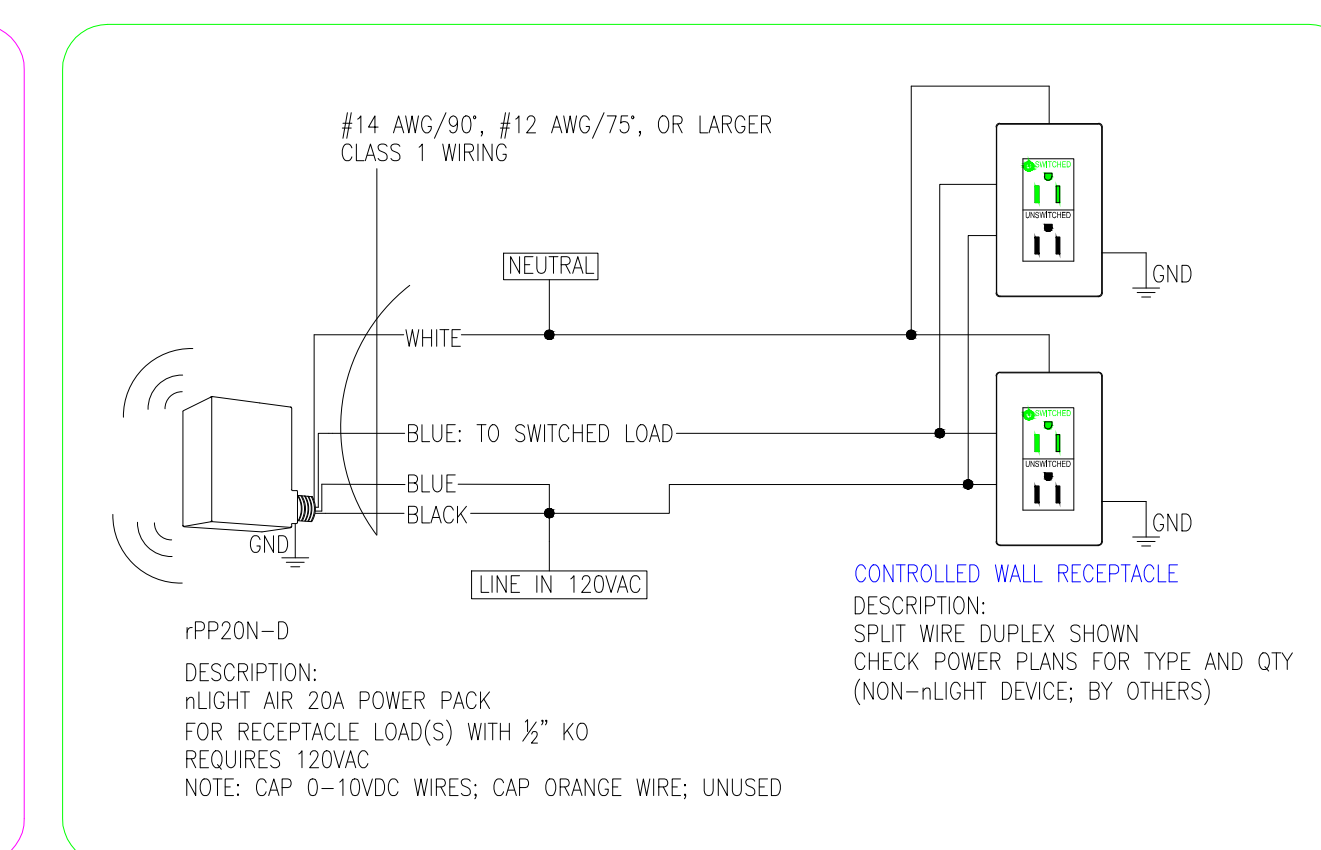
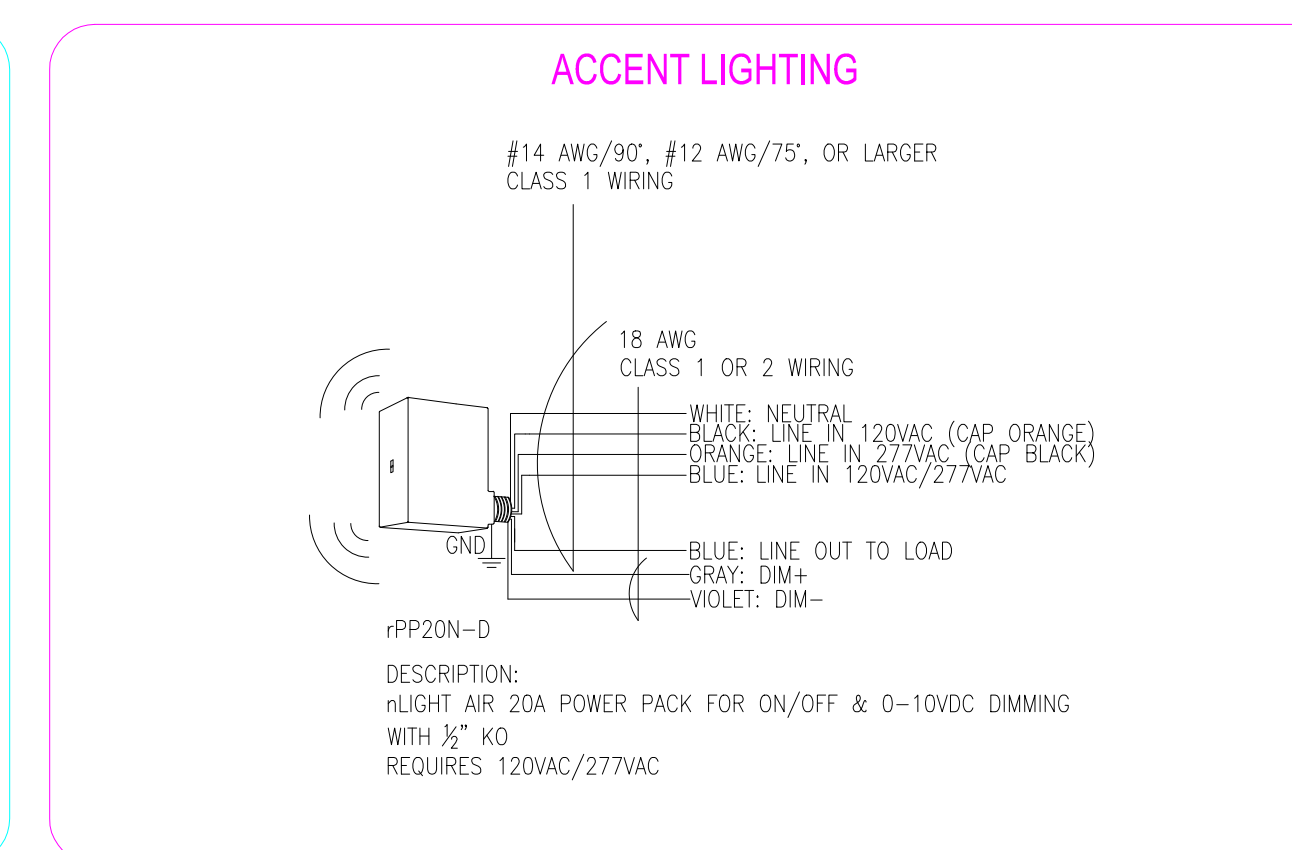
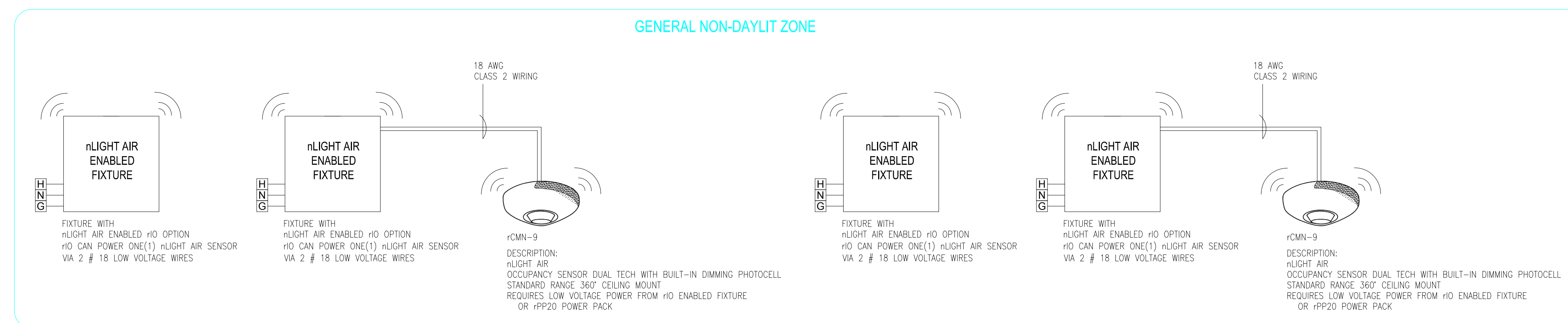


Open Office - Enabled Fixtures With Daylighting



FOR NEW CONSTRUCTION OR RENOVATIONS WITH THE COMPLETE REPLACEMENT OF THE DISTRIBUTION SYSTEM



FOR NEW CONSTRUCTION OR RENOVATIONS WITH THE COMPLETE REPLACEMENT OF THE DISTRIBUTION SYSTEM

TYPICAL OPEN OFFICE WITH DAYLIGHTING USING nLIGHT nLIGHT ENABLED FIXTURES

REFER TO PLANS FOR TYPES AND QUANTITIES

T24 2016 COMPLIANT SEQUENCE OF OPERATION:

- OCCUPANCY SENSOR PROVIDES AUTOMATIC OFF OF LIGHTS AND CONTROLLED RECEPTACLES BASED ON ROOM OCCUPANCY (USE DEFAULT TIME DELAY FOR OCCUPANCY SENSOR) .
- DUAL ZONE PHOTOCELL SHALL AUTOMATICALLY REDUCE GENERAL LIGHTING IN BOTH PRIMARY AND SECONDARY DAYLIT ZONES BASED ON DAYLIGHT TO MAINTAIN DESIGN ILLUMINANCE.
- rPODB 2P DX SWITCH PROVIDES MANUAL OVERRIDE OF THE LIGHTS: ON/OFF/RAISE/LOWER.

REV	DATE

Date:

Scale: NOT TO SCALE

Drawn By:

Project #:

DWG Ref:

Sheet: