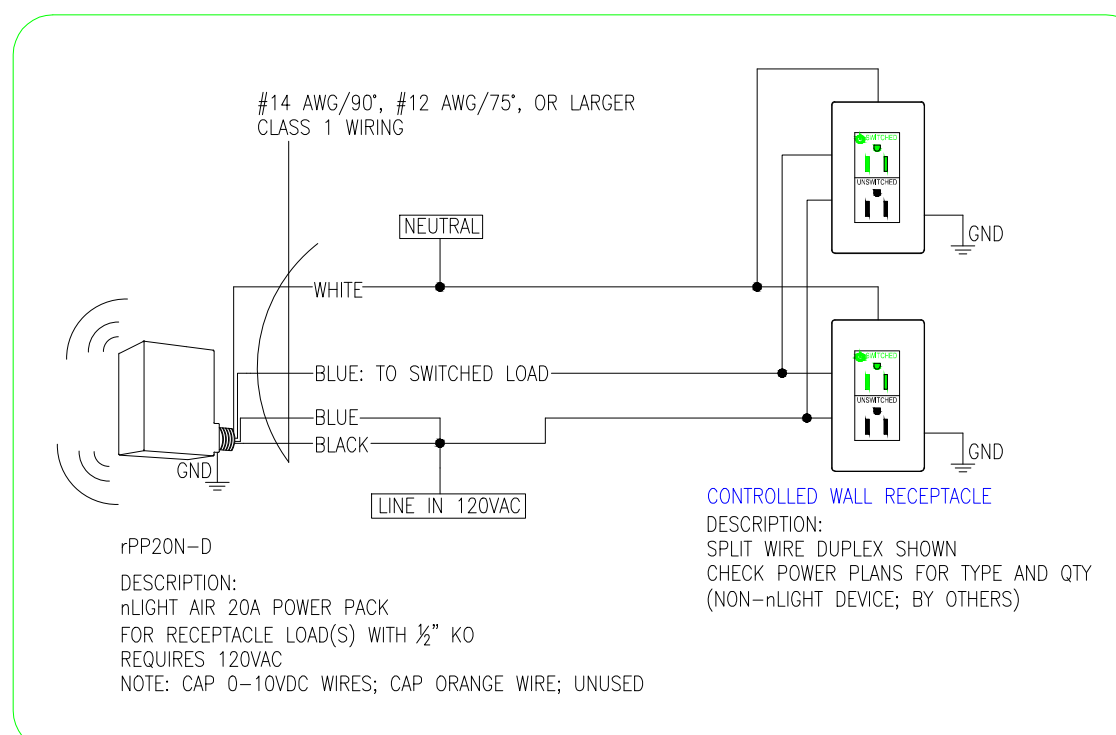
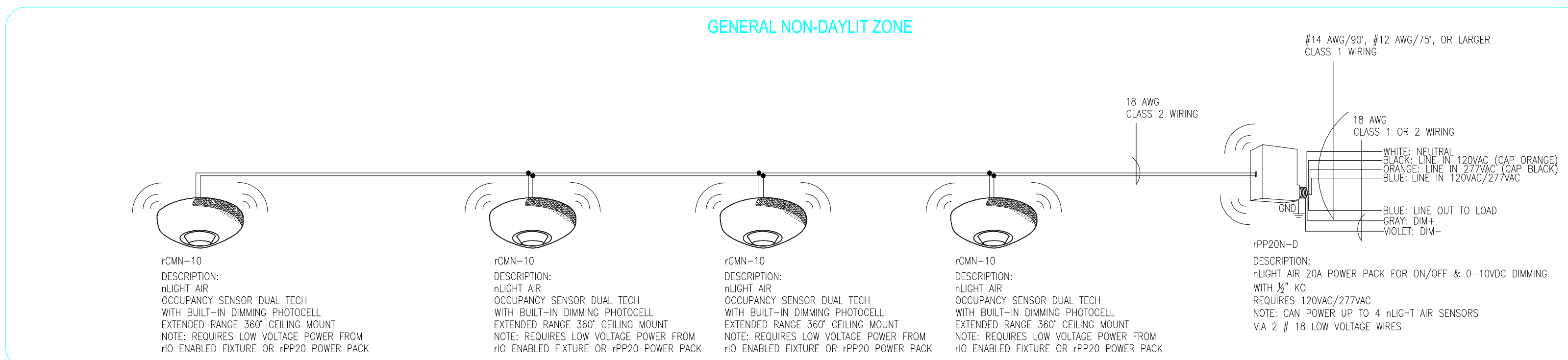


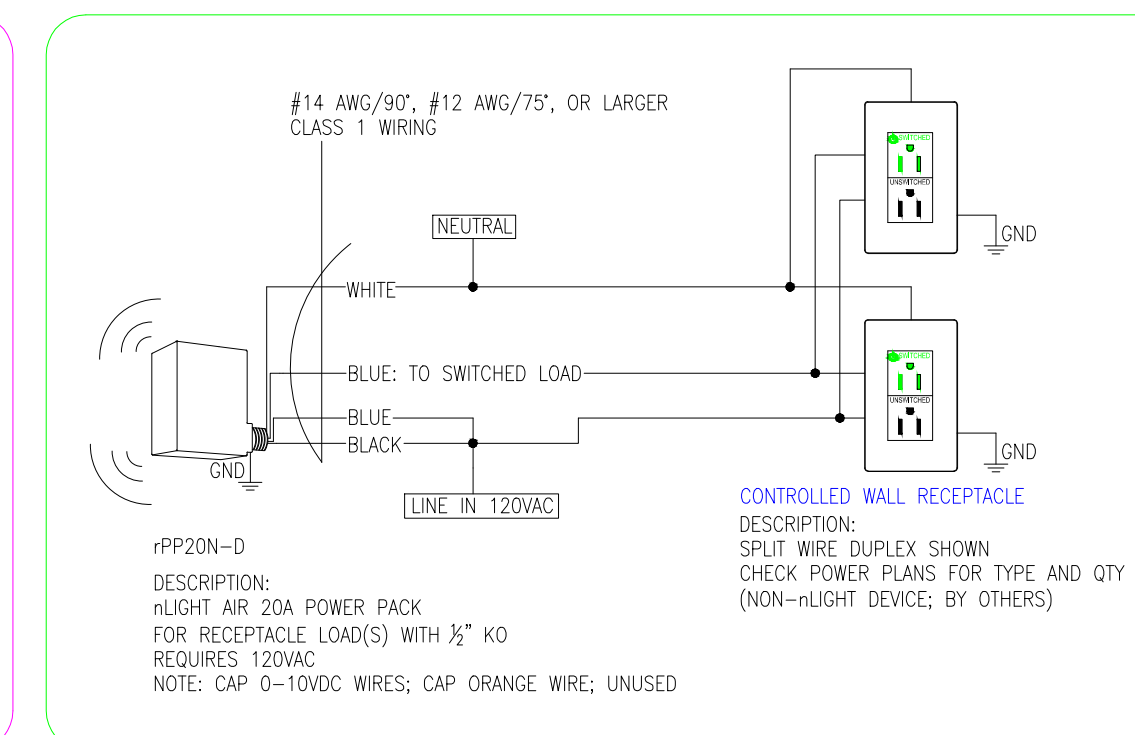
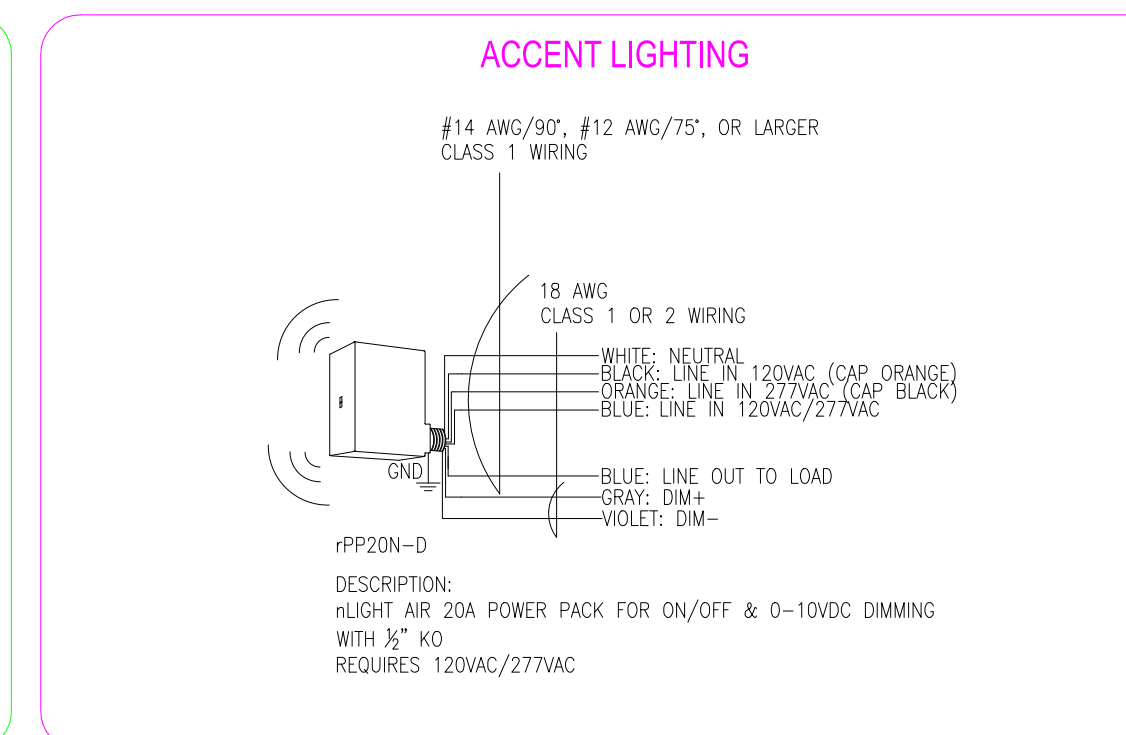
OPEN OFFICE

GENERAL-NON-DAYLIT ZONE

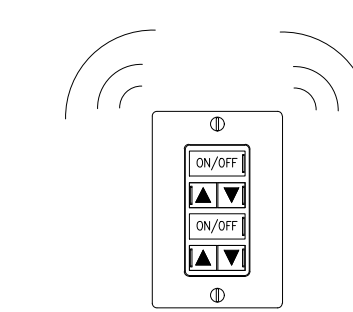


FOR NEW CONSTRUCTION OR RENOVATIONS WITH THE COMPLETE REPLACEMENT OF THE DISTRIBUTION SYSTEM

ACCENT LIGHTING



FOR NEW CONSTRUCTION OR RENOVATIONS WITH THE COMPLETE REPLACEMENT OF THE DISTRIBUTION SYSTEM



iPODB-2P-DX
DESCRIPTION:
HIGHT AIR ON/OFF/RAISE/LOWER 2-ZONE SWITCH
3 AA BATTERY POWERED (INCLUDED)

NTS TYPICAL OPEN OFFICE USING nLIGHT POWER PACKS
REFER TO PLANS FOR TYPES AND QUANTITIES

T24 2016 COMPLIANT SEQUENCE OF OPERATION:

1. OCCUPANCY SENSOR PROVIDES AUTOMATIC OFF OF LIGHTS AND CONTROLLED RECEPTACLES BASED ON ROOM OCCUPANCY (USE DEFAULT TIME DELAY FOR OCCUPANCY SENSOR) .
2. iPODB 2P DX SWITCH PROVIDES MANUAL OVERRIDE OF THE LIGHTS: ON/OFF/RAISE/LOWER.

nLight AIR Typical

REV	DATE
Date:	
Scale: NOT TO SCALE	
Drawn By:	
Project #:	
DWG Ref:	
Sheet:	