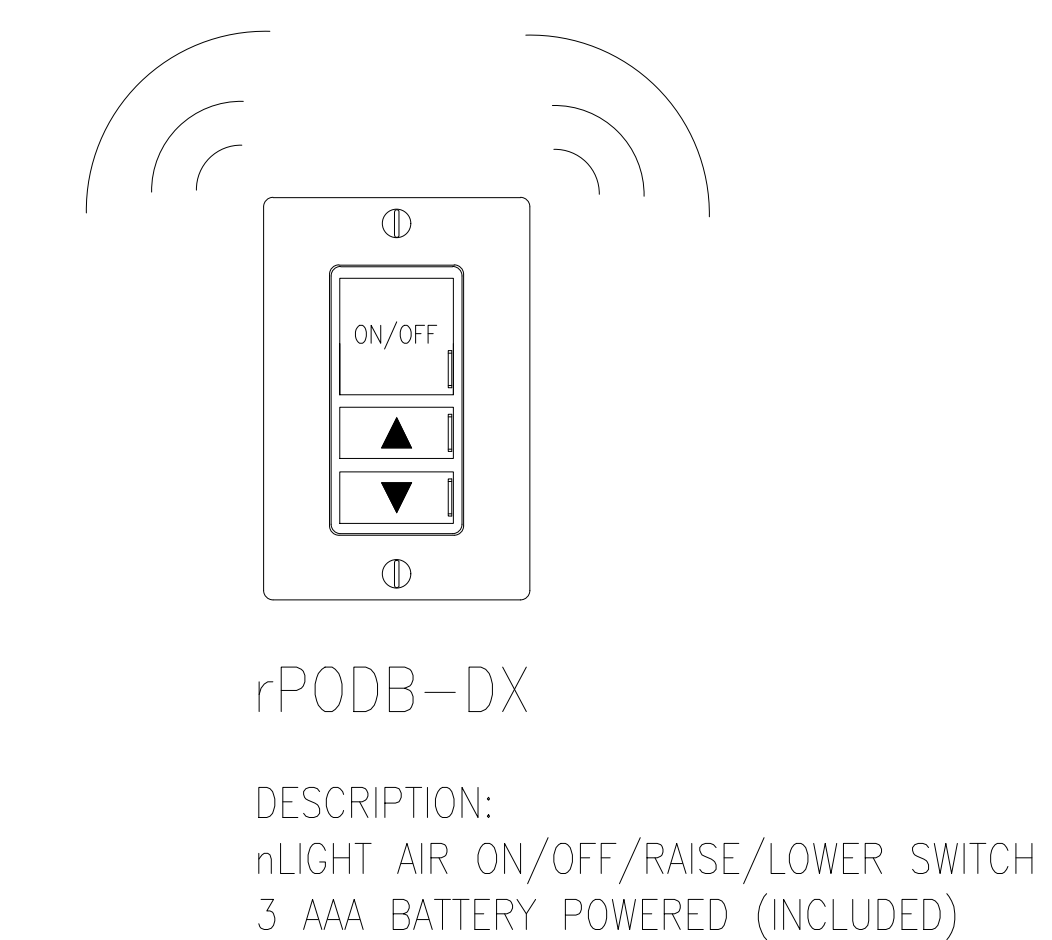
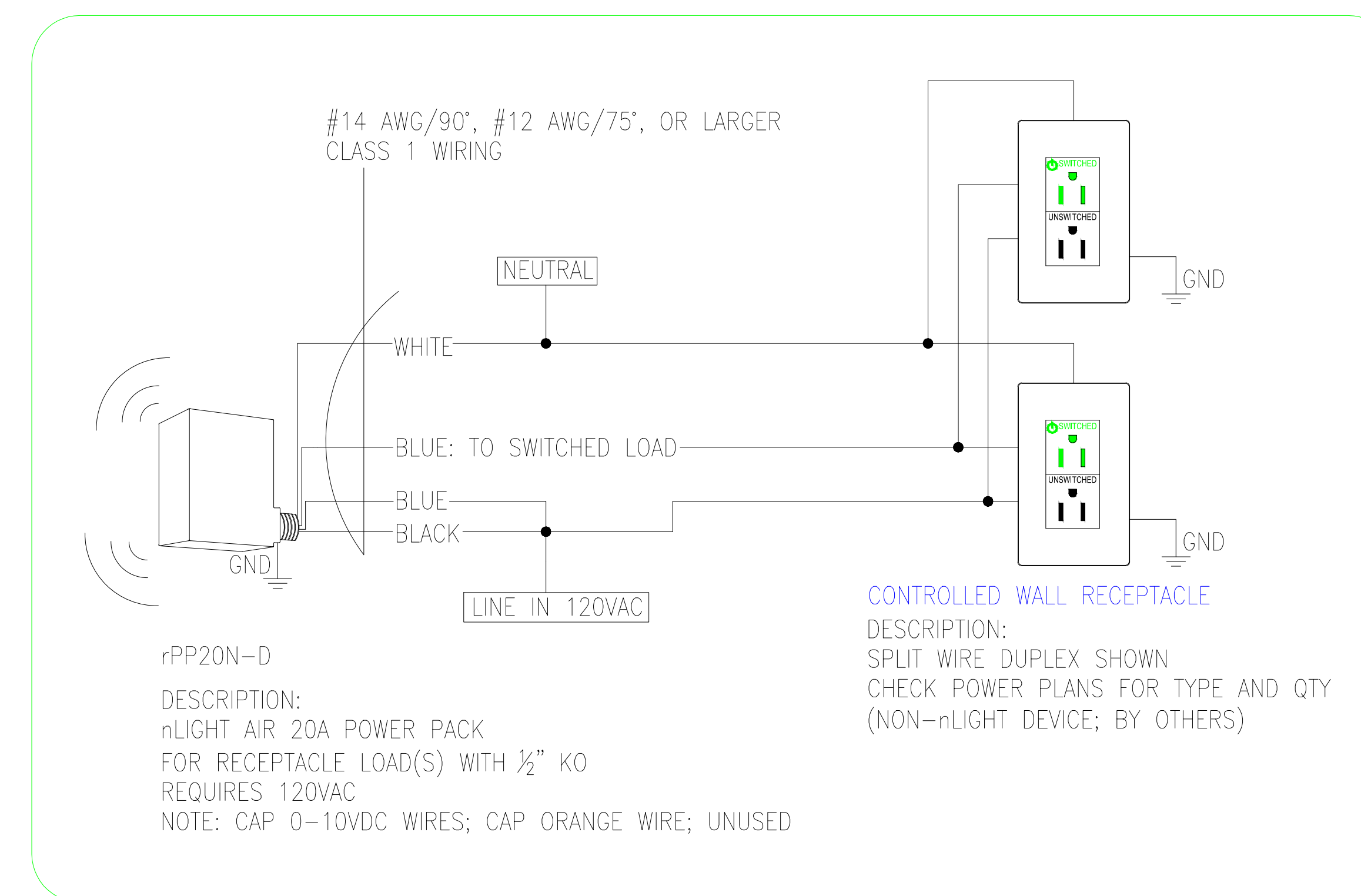
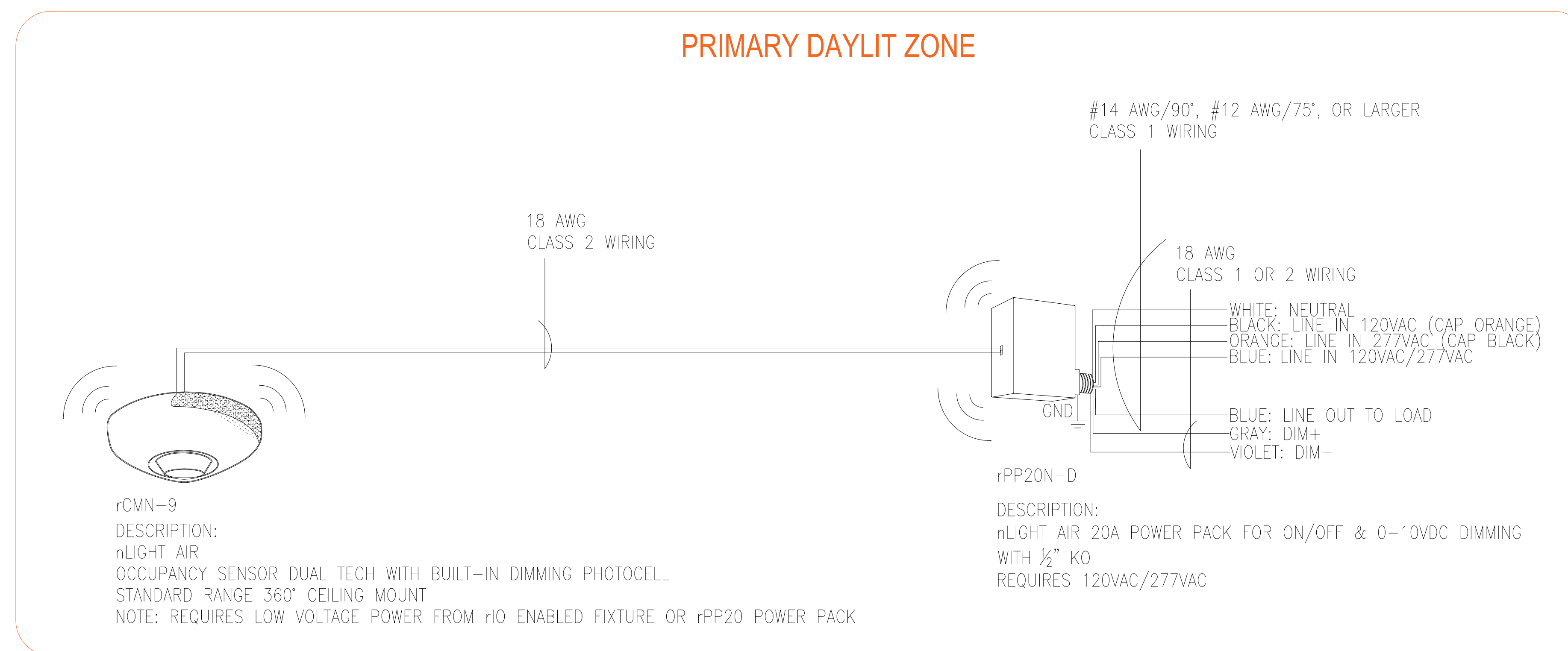


Small Office with Daylighting



FOR NEW CONSTRUCTION OR RENOVATIONS WITH THE COMPLETE REPLACEMENT OF THE DISTRIBUTION SYSTEM

NTS

TYPICAL PRIVATE OFFICE WITH DAYLIGHTING USING nLIGHT POWER PACKS

REFER TO PLANS FOR TYPES AND QUANTITIES

T24 2016 COMPLIANT SEQUENCE OF OPERATION:

1. OCCUPANCY SENSOR PROVIDES PARTIAL ON TO 70% AND AUTOMATIC OFF OF LIGHTS AND CONTROLLED RECEPTACLES BASED ON ROOM OCCUPANCY (USE DEFAULT TIME DELAY FOR OCCUPANCY SENSOR) .
2. DUAL ZONE PHOTOCELL SHALL AUTOMATICALLY REDUCE GENERAL LIGHTING IN BOTH PRIMARY AND SECONDARY DAYLIT ZONES BASED ON DAYLIGHT TO MAINTAIN DESIGN ILLUMINANCE.
3. rPODB DX SWITCH PROVIDES MANUAL OVERRIDE OF THE LIGHTS: ON/OFF/RAISE/LOWER.

REV	DATE
Date:	
Scale:	NOT TO SCALE
Drawn By:	
Project #:	
DWG Ref:	
Sheet:	