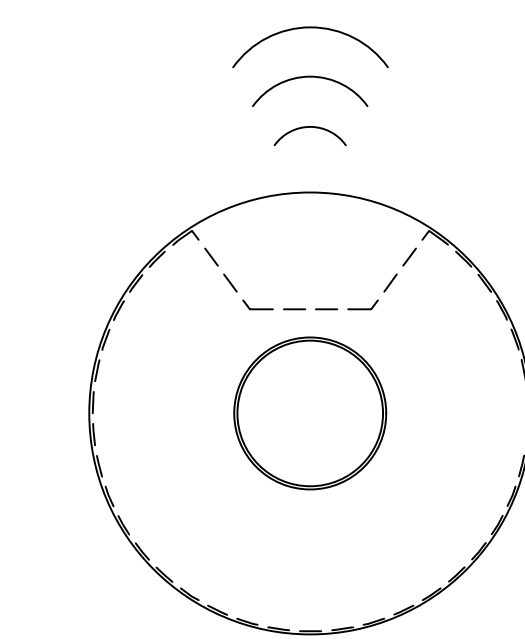
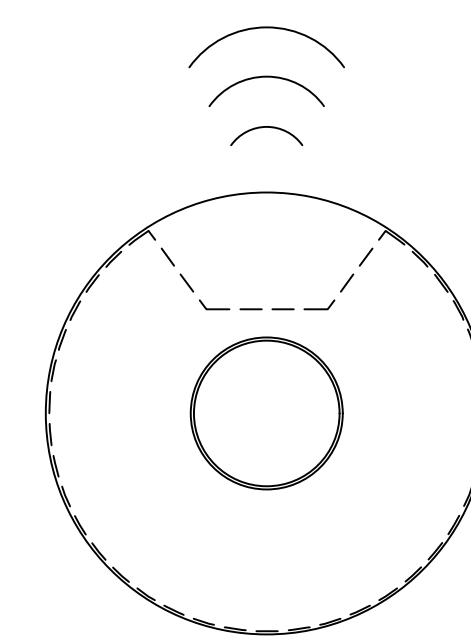


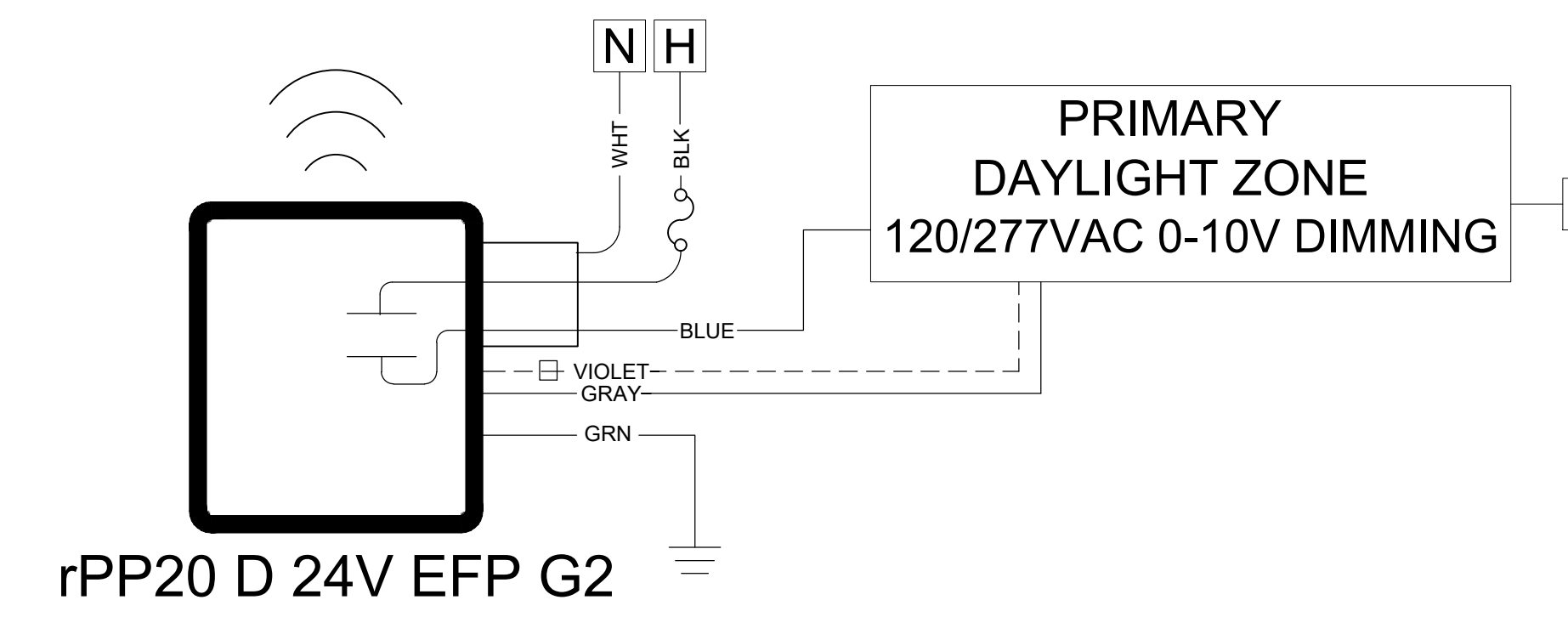
nLIGHT AIR: CONFERENCE - POWERPACKS W/ BATTERY SENSORS



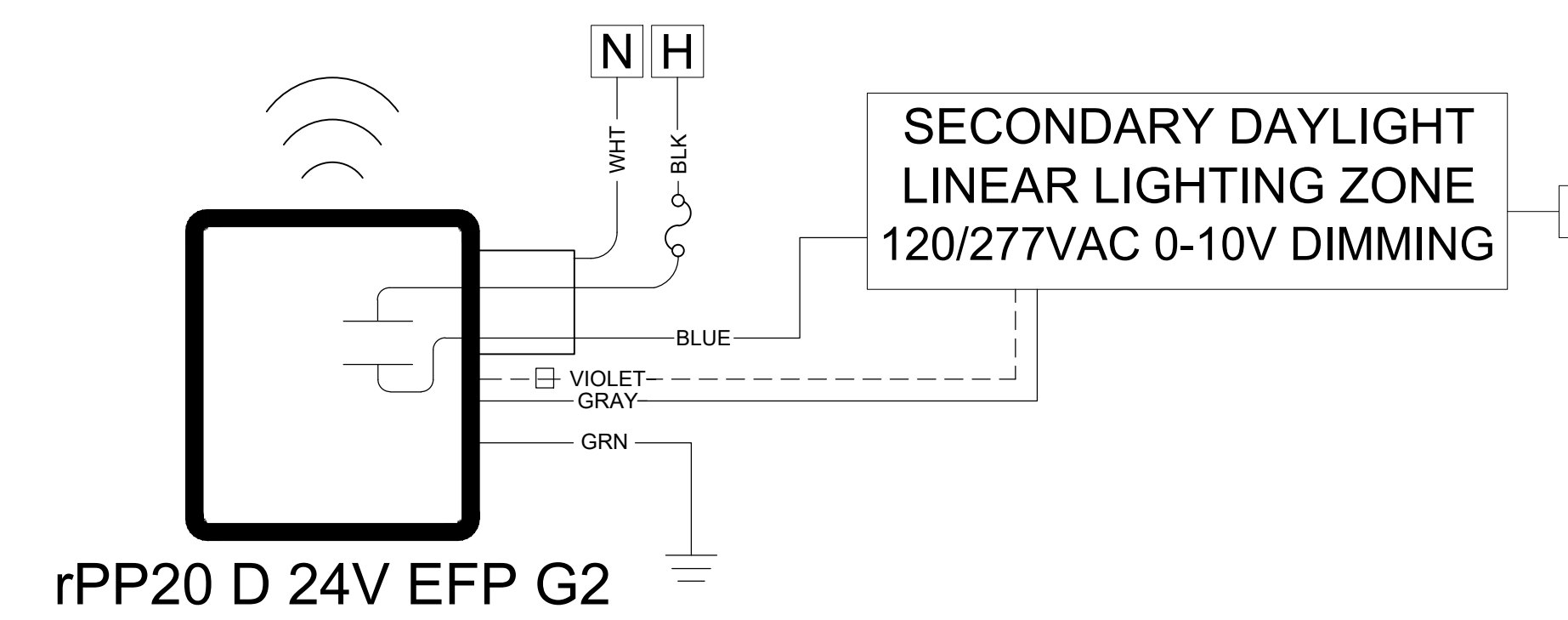
rCMSB PDT 7 G2



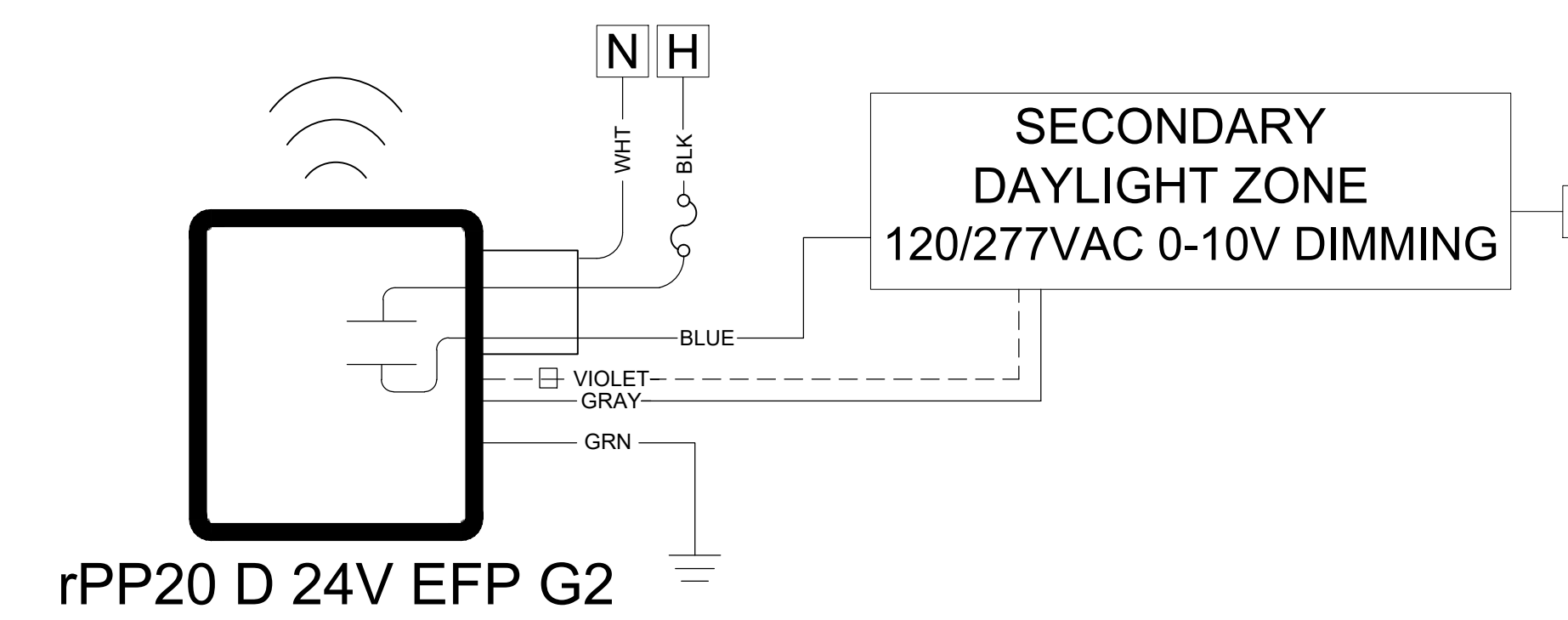
rCMSB PDT 7 G2



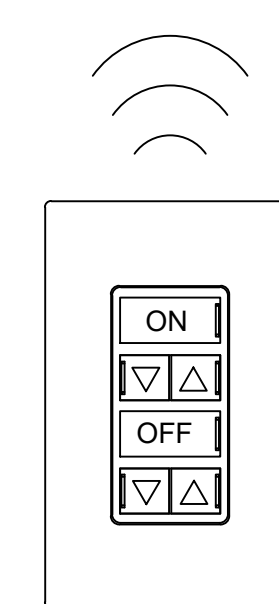
rPP20 D 24V EFP G2



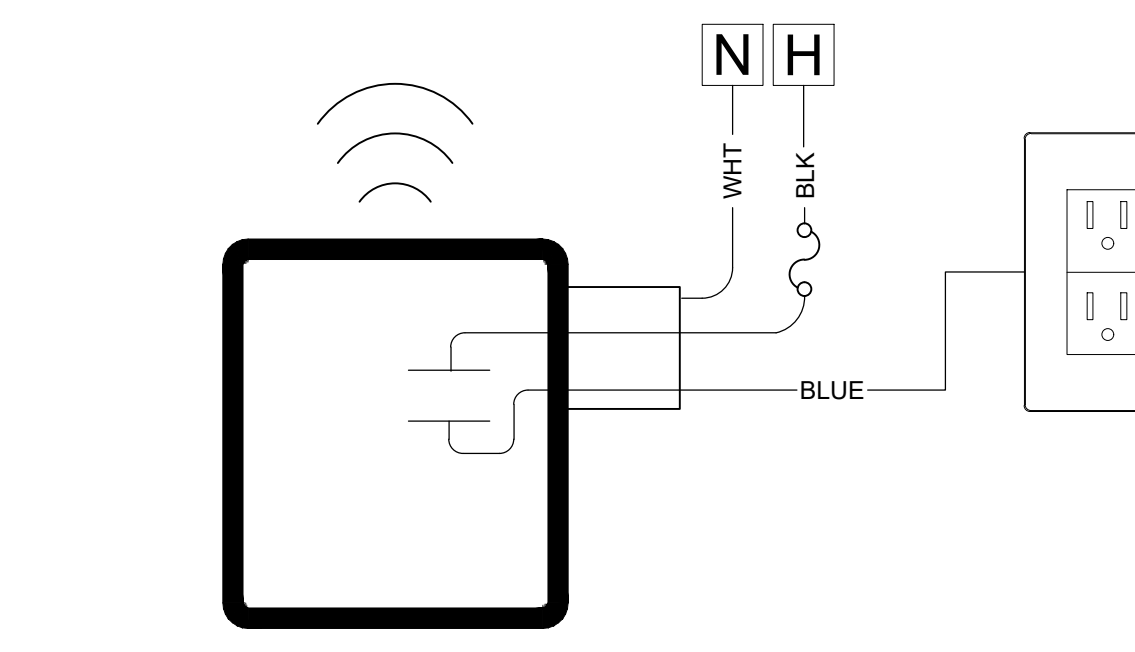
rPP20 D 24V EFP G2



rPP20 D 24V EFP G2



rPODB 2P DX WH G2



rPP20 24V EFP G2

SEE SDLA BASIS OF DESIGN TO COMPLY WITH TITLE 24 SECTION 120.8(c)

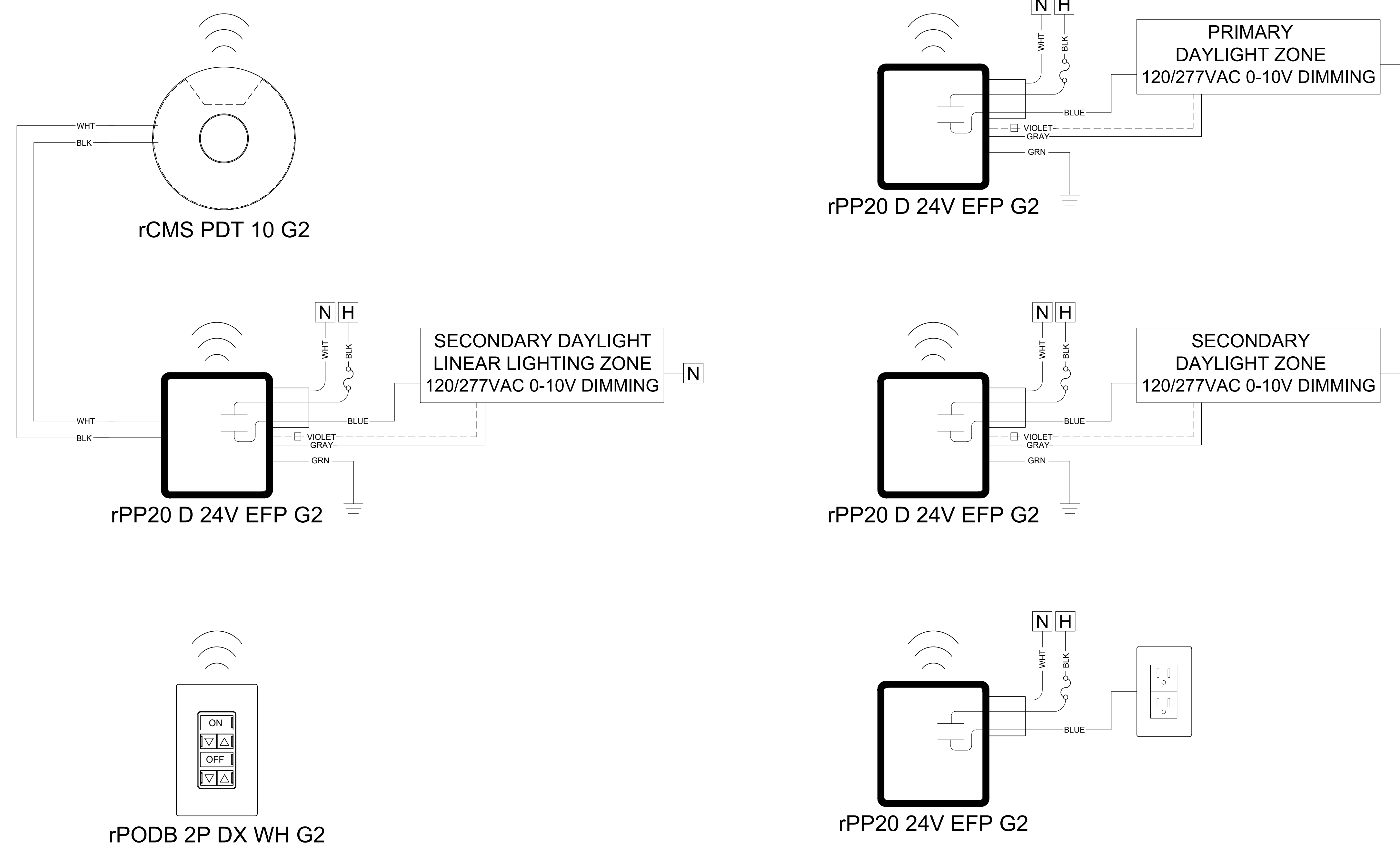
BILL OF MATERIAL		
QTY	PRODUCT #	DESCRIPTION
2	rCMSB PDT 7 G2	COMBO EXTENDED RANGE 360° SENSOR WITH DAYLIGHTING-CEILING MOUNT, BATTERY POWERED, DUAL TECHNOLOGY (PDT); WIRELESS COMMUNICATION
3	rPP20 D 24V EFP G2	20 AMP RELAY PACK WITH 0-10V DIMMING AND 24VDC OUTPUT, CHASE NIPPLE MOUNTING; WIRELESS COMMUNICATION
1	rPP20 24V EFP G2	20 AMP RELAY PACK WITH 24VDC OUTPUT, CHASE NIPPLE MOUNTING; WIRELESS COMMUNICATION
1	rPODB 2P DX WH G2	2 CHANNEL ON/OFF TOGGLE WITH DIMMING, BATTERY POWERED; WIRELESS COMMUNICATION

SEE FLOORPLANS FOR QUANTITY OF FIXTURES AND nLIGHT COMPONENTS REQUIRED.

FOR nLIGHT DESIGN ASSISTANCE OR A COMPLETE BOM ON PROJECT - CONTACT SDLA @ CONTROLS@SDLTG.COM OR (858)505-1055



nLIGHT AIR: CONFERENCE - POWERPACKS W/ 24VDC SENSORS



SEE SDLA BASIS OF DESIGN TO COMPLY WITH TITLE 24 SECTION 120.8(c)

BILL OF MATERIAL		
QTY	PRODUCT #	DESCRIPTION
1	rCMS PDT 10 G2	COMBO EXTENDED RANGE 360° SENSOR WITH DAYLIGHTING-CEILING MOUNT, LOW VOLTAGE, DUAL TECHNOLOGY (PDT); WIRELESS COMMUNICATION
3	rPP20 D 24V EFP G2	20 AMP RELAY PACK WITH 0-10V DIMMING AND 24VDC OUTPUT, CHASE NIPPLE MOUNTING; WIRELESS COMMUNICATION
1	rPP20 24V EFP G2	20 AMP RELAY PACK WITH 24VDC OUTPUT, CHASE NIPPLE MOUNTING; WIRELESS COMMUNICATION
1	rPODB 2P DX WH G2	2 CHANNEL ON/OFF TOGGLE WITH DIMMING, BATTERY POWERED; WIRELESS COMMUNICATION

SEE FLOORPLANS FOR QUANTITY OF FIXTURES AND nLIGHT COMPONENTS REQUIRED.

FOR nLIGHT DESIGN ASSISTANCE OR A COMPLETE BOM ON PROJECT - CONTACT SDLA @ CONTROLS@SDLTG.COM OR (858)505-1055

