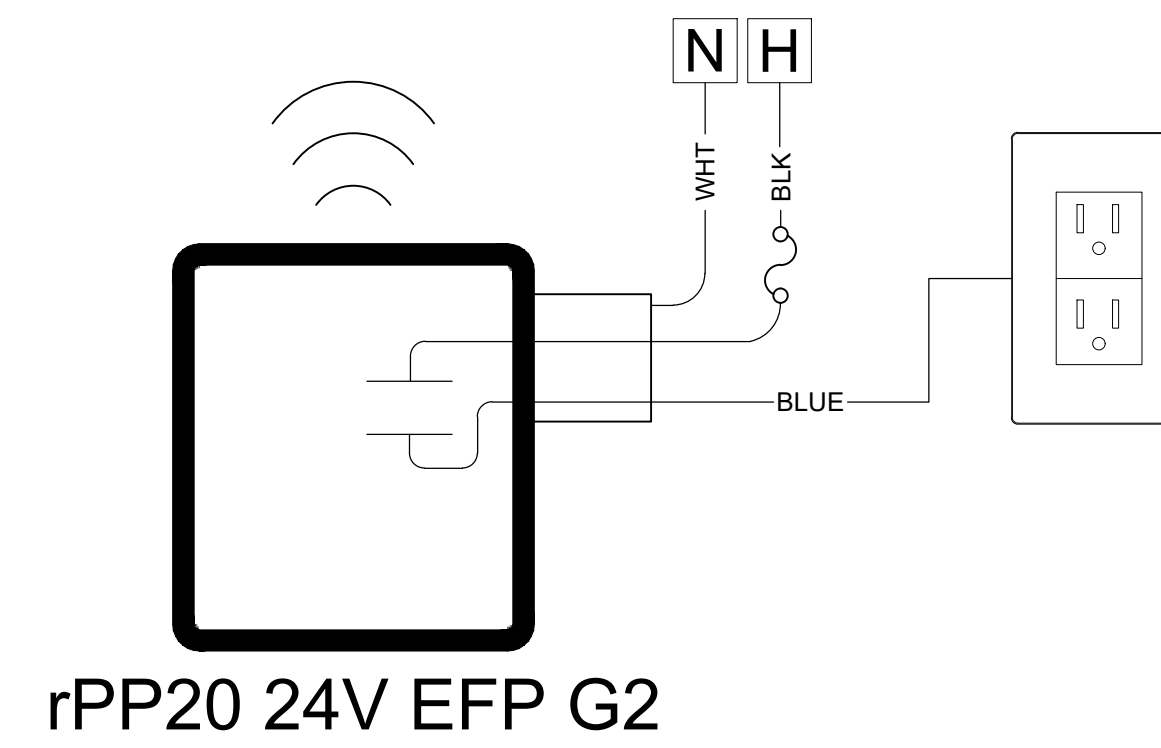
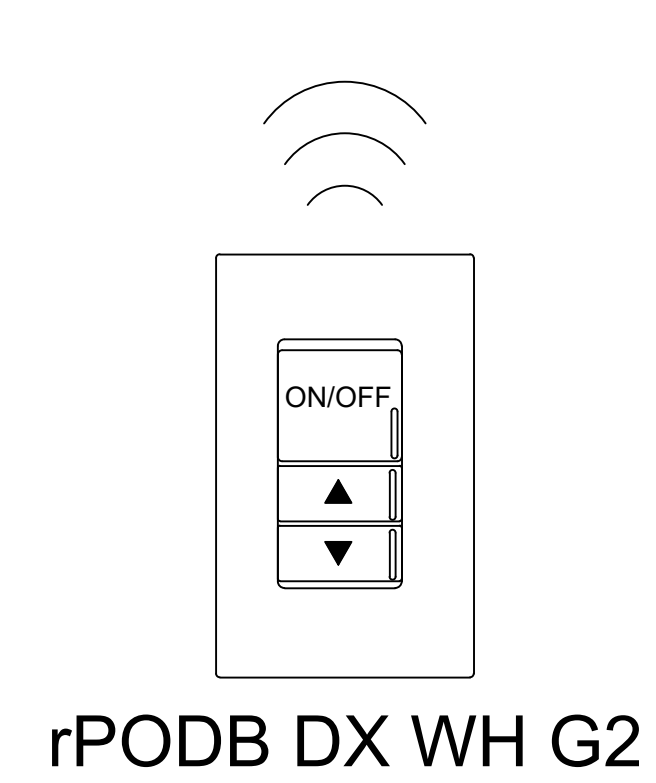
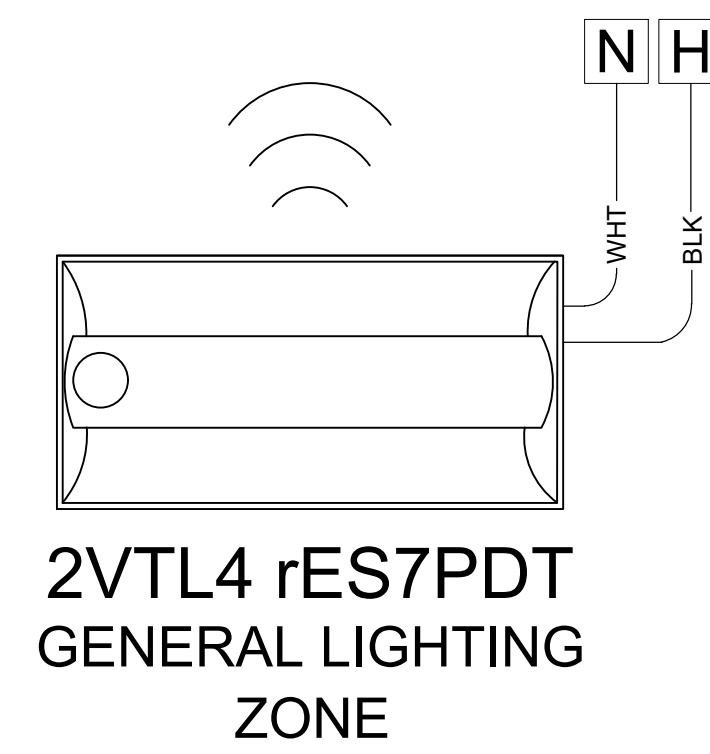


# nLIGHT AIR: SMALL OFFICE - AIR ENABLED FIXTURES



SEE SDLA BASIS OF DESIGN TO COMPLY WITH TITLE 24 SECTION 120.8(c)

BILL OF MATERIAL		
QTY	PRODUCT #	DESCRIPTION
TBD	2VTL4 xxL ADPT EZ1 LPxxx NLTAIR2 RES7PDT	INTEGRAL FIXTURE EMBEDDED COMBO STANDARD RANGE 360° SENSOR WITH DAYLIGHTING, DUAL TECHNOLOGY (PDT); WIRELESS COMMUNICATION
1	rPP20 24V EFP G2	20 AMP RELAY PACK WITH 24VDC OUTPUT, CHASE NIPPLE MOUNTING; WIRELESS COMMUNICATION
1	rPODB DX WH G2	1 CHANNEL ON/OFF TOGGLE WITH DIMMING, BATTERY POWERED; WIRELESS COMMUNICATION

SEE FLOORPLANS FOR QUANTITY OF FIXTURES AND nLIGHT COMPONENTS REQUIRED.

FOR nLIGHT DESIGN ASSISTANCE OR A COMPLETE BOM ON PROJECT - CONTACT SDLA @  
CONTROLS@SDLTG.COM OR (858)505-1055

