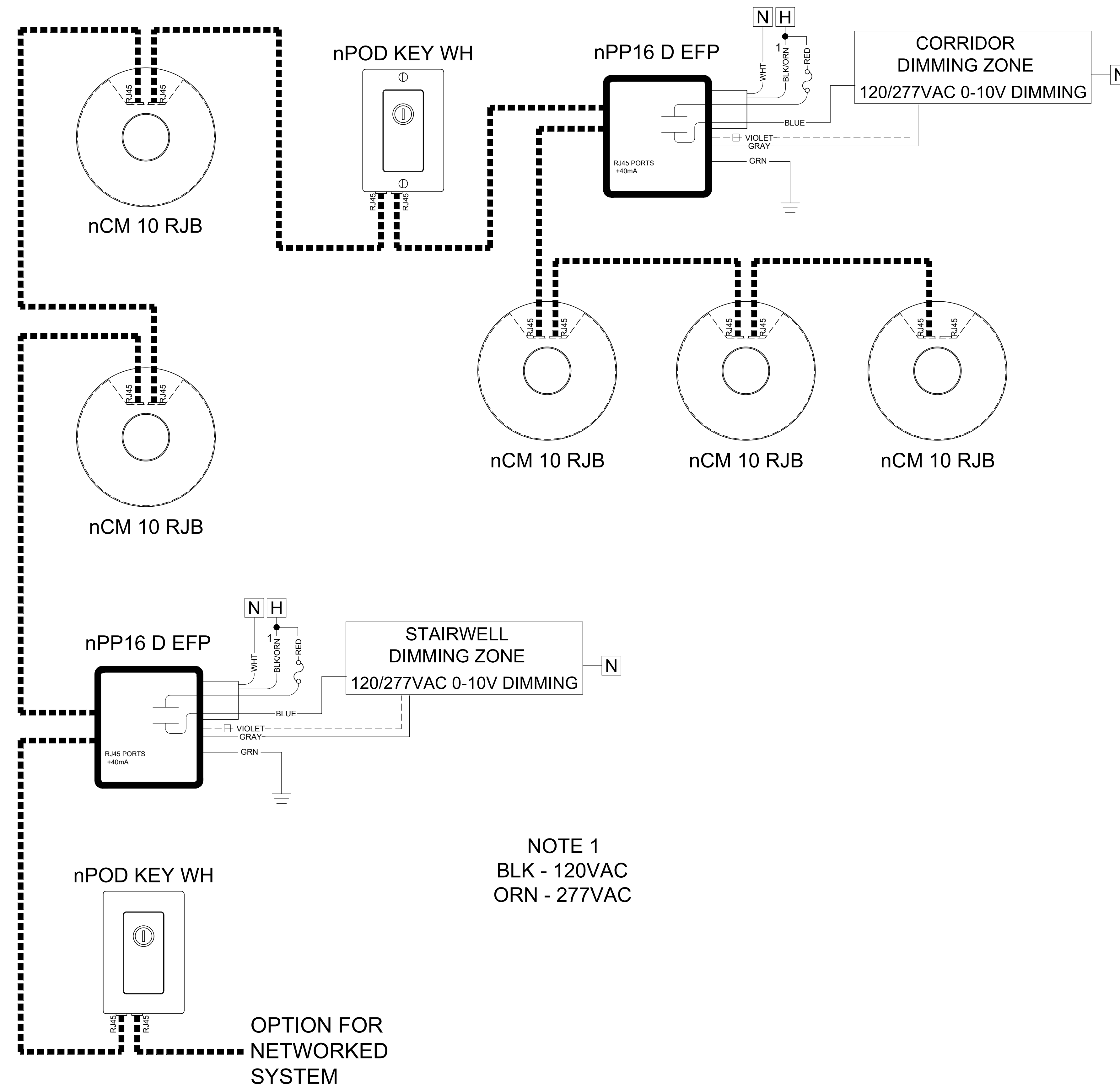


nLIGHT: CORRIDOR/STAIRWELL - POWERPACKS



SEE SDLA BASIS OF DESIGN TO COMPLY WITH TITLE 24 SECTION 120.8(c)

BILL OF MATERIAL		
QTY	PRODUCT #	DESCRIPTION
2	nPOD KEY WH	1 CHANNEL ON/OFF DIGITAL KEY SWITCH WITH DIMMING
2	nPP16 D EFP	16 AMP RELAY PACK WITH 0-10V DIMMING CONTROL; CHASE NIPPLE MOUNTING
5	nCM 10 RJB	OCCUPANCY SENSOR, LOW VOLTAGE WIDE VIEW

SEE FLOORPLANS FOR QUANTITY OF FIXTURES AND nLIGHT COMPONENTS REQUIRED.

FOR nLIGHT DESIGN ASSISTANCE OR A COMPLETE BOM ON PROJECT - CONTACT SDLA @
CONTROLS@SDLTG.COM OR (858)505-1055

